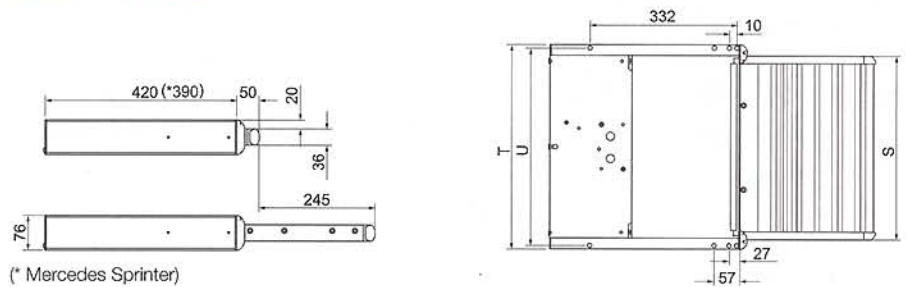


OMNI•STEP

With motor



OMNI•STEP 12V SLIDE-OUT 400, 550 & 700 alu

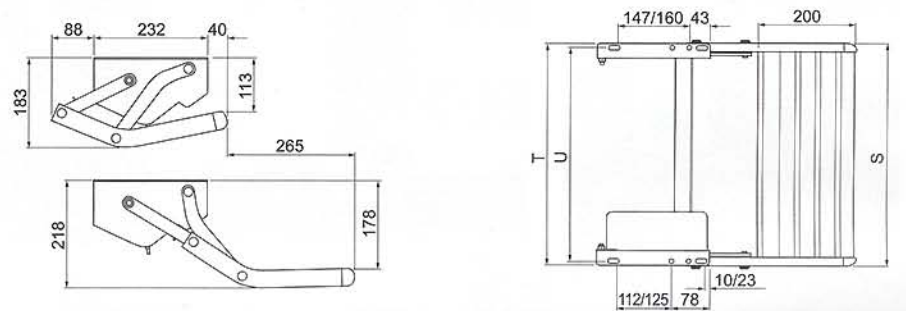


(* Mercedes Sprinter)

art.nr.	TYPE	S (mm)	T (mm)	U (mm)	WEIGHT
20224500	400	406	452	436	8,0 kg
20225500	550	551	597	581	9,3 kg
20227500	700	706	752	736	10,5 kg
20224800	Mercedes Sprinter	406	452	436	9,8 kg

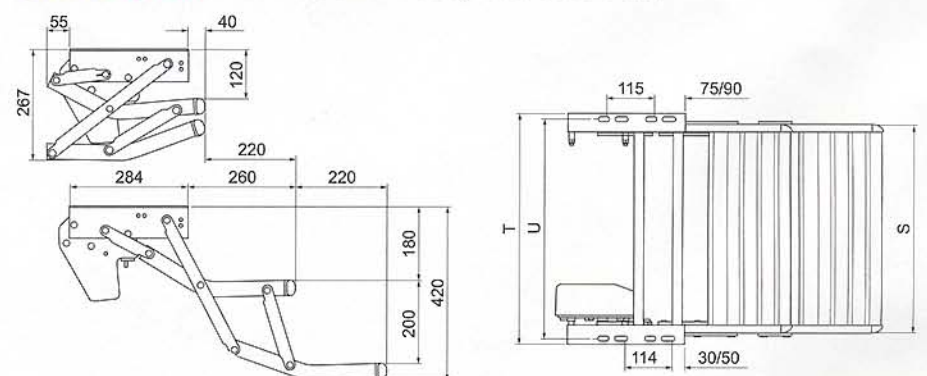
Mounting kits page 66

OMNI•STEP 12V 460 & 550 alu



art.nr.	TYPE	S (mm)	T (mm)	U (mm)	WEIGHT
20214700	460	455	452	436	5,7 kg
20215600	550	551	548	532	6,0 kg

OMNI•STEP 12V DOUBLE 380, 440 & 500 alu



art.nr.	TYPE	S (mm)	T (mm)	U (mm)	WEIGHT
20333800	380	380	435	410	7,0 kg
20334100	440	446	501	476	7,3 kg
20335000	500	502	557	532	7,6 kg