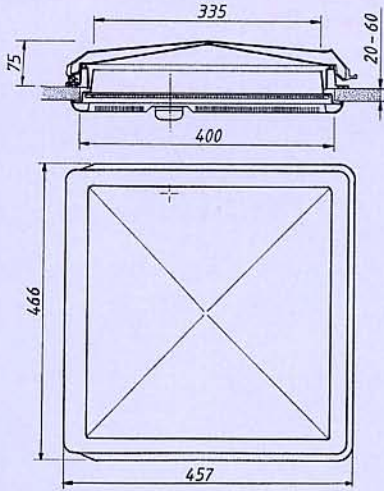


**TECHNICAL DATA OMNI-VENT WHITE**



[www.motorcaravanning.co.uk](http://www.motorcaravanning.co.uk)

The roof light is mounted by means of special clamps so that drilling through the roof is not necessary. This offers the best guarantee against water ingress!



Aperture size: 40 x 40 cm.  
 Inner frame 43 x 43 cm  
 Height of dome in closed position: 75 mm.  
 Roof thickness: 25-60 mm.  
 Material: Dome in reinforced UV resistant polypropylene.  
 Outer frame : ASA  
 Inner frame : Polystyrol

The installation of the Omni-Vent into roof thicknesses from 40mm to 60mm is simplified by the guidance pieces.  
 art.nr.23020000



art.nr. white	translucent	transparent	DESCRIPTION
23300000	23300010	23300020	Omni-Vent roof light without fan, incl. roller blind
23000000	23000010	23000020	Omni-Vent 12V, 3 speeds intake, 3 speeds extract
23400000	23400010	23400020	Omni-Vent 12V thermostat
23015000	23015000	23015000	Extension kit 12V
23015100	23015100	23015100	Extension kit 12V thermostat

# OMNI-COVER

## The ideal extension for your roof light

The Omni-Cover made of shock resistant ABS makes sure your rooflight can stay open during winter and summer even in rainy or snowy conditions. Even whilst driving your rooflight can stay open. Very lightweight: less than 2kg. Suitable for rooflights with exterior dimensions of max 470x470mm.



The aluminium profiles below the cover are attached to the roof by using special glue (SIKA221).

So no more screws through the roof! Furthermore the cover can be easily removed by simply unscrewing it from the profiles.

