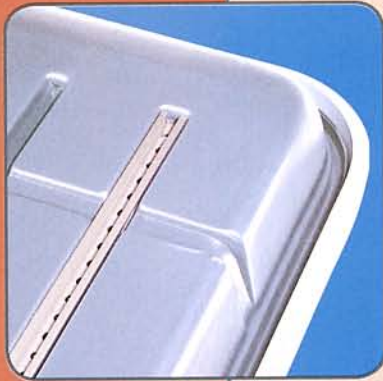


# ROOF•BOX



## The most economical!

The Roof Box series are high quality boxes made of rigid polystyrene with aluminium inner frame at a budget price. The boxes are equipped with two gas springs and waterproof locks. A double installation profile makes it easy and quick to install. The colour is always light grey.

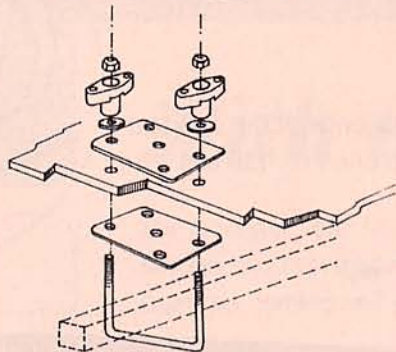


art.nr.	LxWxH	VOLUME	WEIGHT	MOUNTING SURF.
24015013	141 x 88 x 40	320l	13 kg	126 x 80
24035013	222 x 70 x 33	375l	18 kg	212 x 61

**tour**

**combi**

## Mounting systems for all Top-Boxes



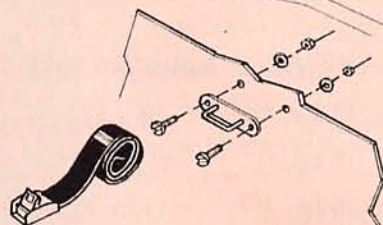
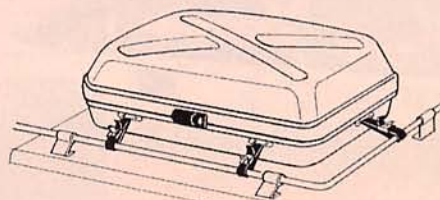
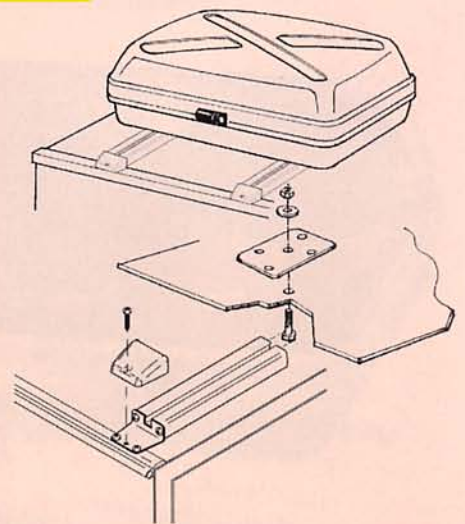
### MOUNTING BRIDGES

Brackets for luggage rack fitting  
(4 pieces) art.nr. 5000023

[www.motorcaravanning.co.uk](http://www.motorcaravanning.co.uk)

### MOUNTING RACK

With this set of aluminium profiles (length 2,50 m) and screws, the Top-Box doesn't need to be fitted through the roof. art.nr. 5000024



### MOUNTING KIT

Straps for luggage rack fitting  
(6 pieces). art.nr. 5000022