



The standard Omni-Bike series has a large selection of bike carriers with an excellent price-quality relation.

Construction: The 35mm diameter frame is made of anodised aluminium. The height can be adjusted till 1,01m (not for Short version models). The FH 2 bikes model can be extended with an extra rail till a 3 bike carrier.

Remark: other models cannot be extended. All fixation materials are rust proof.

Comfort: One bike holder for the outer bike. The weight of these bike carriers is very limited.

Installation: The frame is installed on 4 fixation points.



The Short version models are perfect for installation to the pre-mounted fixation hooks of Rapido, Challenger and Chausson vehicles. The FH 2 bikes model has been especially designed for fixation hooks to CI campers.

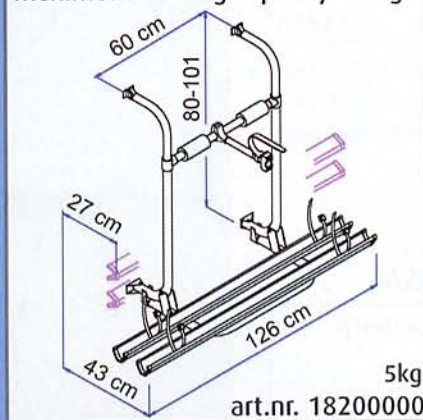
Note: FH 2 Bikes only suitable for premounted fixation hooks!

For every budget

OMNI•BIKE

2 BIKES

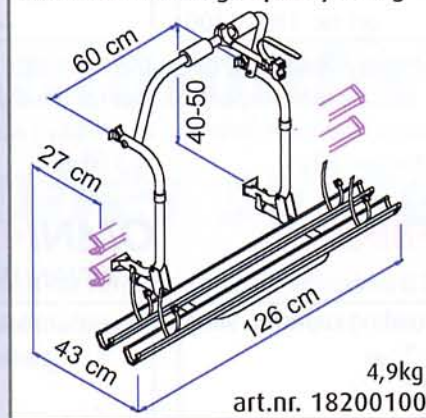
maximum loading capacity: 50kg



OMNI•BIKE

2 BIKES SHORT VERSION

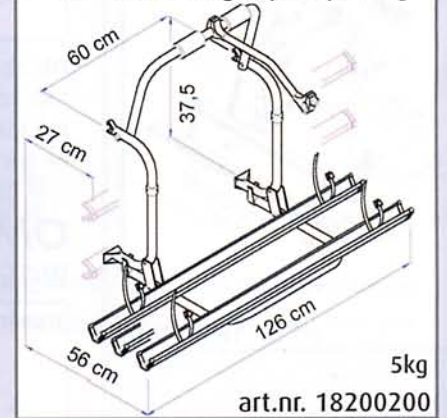
maximum loading capacity: 50kg



OMNI•BIKE

2 BIKES FH

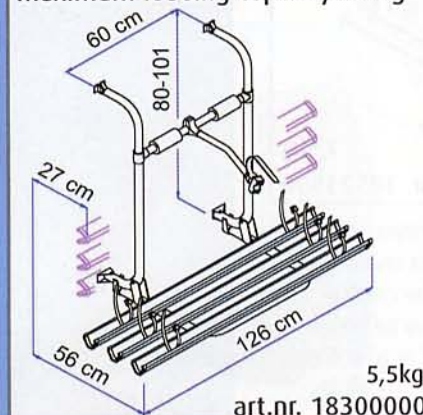
maximum loading capacity: 50kg



OMNI•BIKE

3 BIKES

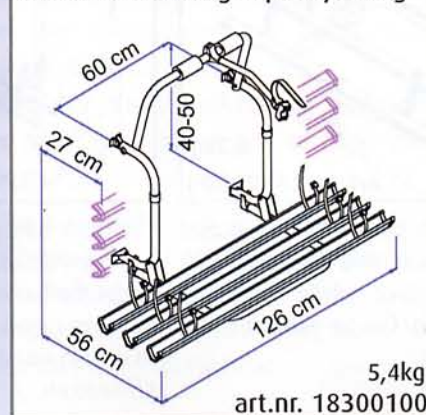
maximum loading capacity: 50kg



OMNI•BIKE

3 BIKES SHORT VERSION

maximum loading capacity: 50kg



OMNI•BIKE

4 BIKES SHORT VERSION

maximum loading capacity: 60kg

