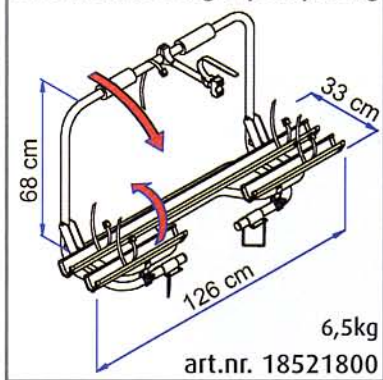


Bike carriers

OMNI•BIKE plus for caravan

CARAVAN SPECIAL

maximum loading capacity: 50kg

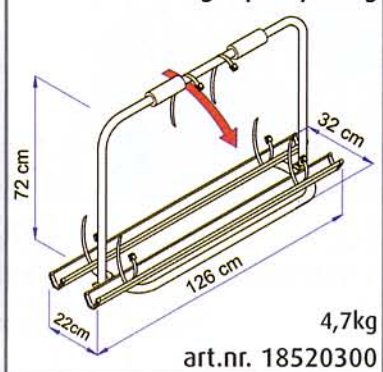


Bike rack for 2 bikes for installation onto the A-frame of a caravan. Fits the new Al-Ko A-frame. Due to the hinge system the bike holder and bikes remain in place when opening the loading space! For improved stability the Omni-Bike plus caravan special has two locking profiles which absorb shocks whilst driving.



OMNI•BIKE CARAVAN

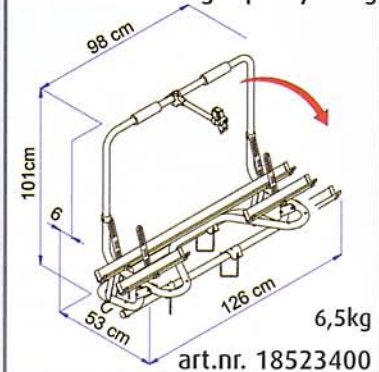
maximum loading capacity: 50kg



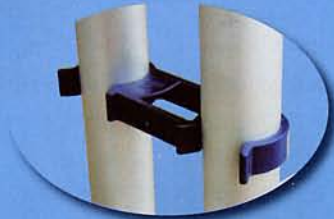
Fits also to the Alko A-frame. The bike rack remains in place when opening the loading space, the bikes have to be removed. For two bikes.

OMNI•BIKE CARAVAN COMFORT

maximum loading capacity: 50kg

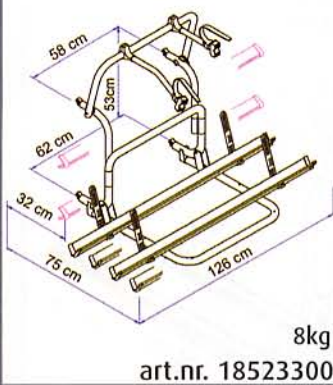


The Omni-Bike plus caravan comfort also fits the short A frames such as e.g. Hobby Caravan. Can be extended to 3 bikes.



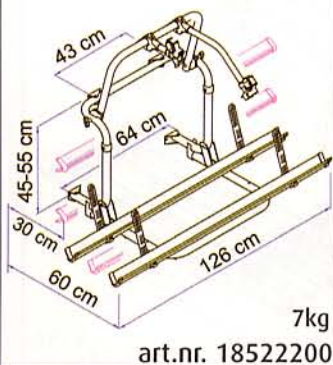
OMNI•BIKE plus 2 BIKES E

max. loading capacity: 50kg



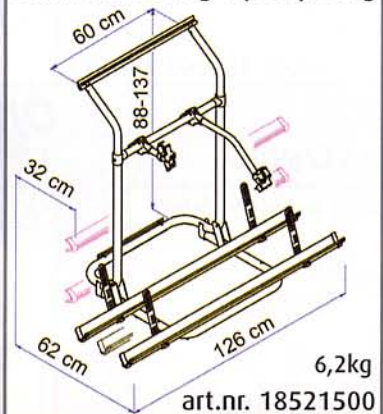
OMNI•BIKE plus 2 BIKES for KNAUS

max. loading capacity: 50kg
FOR KNAUS AND EIFELLAND



OMNI•BIKE plus W-150

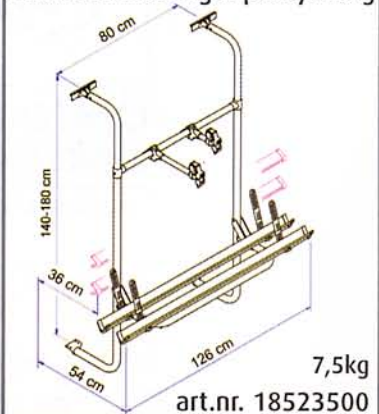
maximum loading capacity: 50kg



The Omni-Bike plus W-150 is installed on the caravan rail. The bike rack remains in place when using the W-150 awning. Can be extended to a 3-bike model.

OMNI•BIKE plus CARAVAN UNIVERSAL

maximum loading capacity: 50kg



The Omni-Bike plus caravan universal has been developed for installation under the bottom of the caravan. The bike carrier can also be installed to certain caravan rails (e.g. Bürstner, Chateau, etc..)