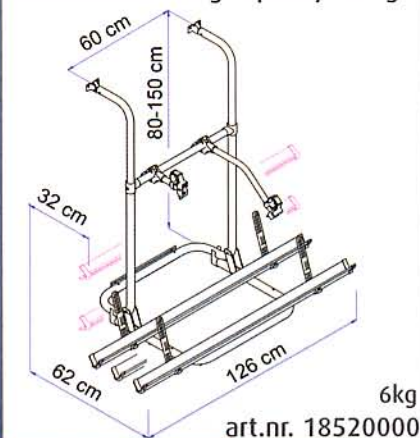




OMNI•BIKE plus

2 BIKES

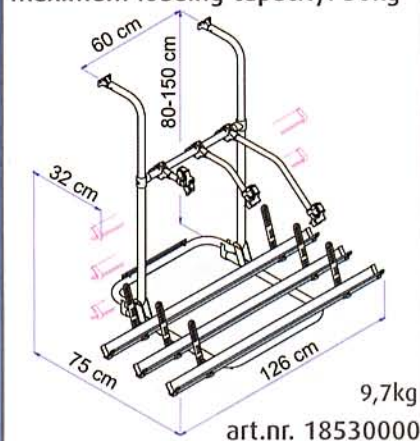
maximum loading capacity: 50kg



OMNI•BIKE plus

3 BIKES

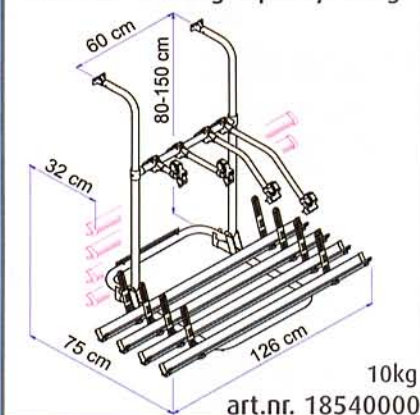
maximum loading capacity: 50kg



OMNI•BIKE plus

4 BIKES

maximum loading capacity: 60kg



The solid classical

The Omni-Bike plus series offers a large selection of high quality, fully equipped bike racks. Their quality has been renowned for many years now!

Construction: The frame with \varnothing 35mm has been made out of anodised aluminium and consists of one continuous tube which makes the installation easier and also distributes the pressure on the vehicle wall much better. The height can be adjusted till 1,50m (not for the Short Version models). The models with 60 kg capacity are reinforced with inox tube in the most vulnerable areas. The 2-bike model can be extended to a 3-bike model by using an optional 3rd rail and bike holder (art.nr. 18053300). All fixation materials are rustproof!

Comfort: Rails that are equipped with a user-friendly wheel fixation. For every bike we have a bike-holder and protection caps give an elegant inner and outer finish!

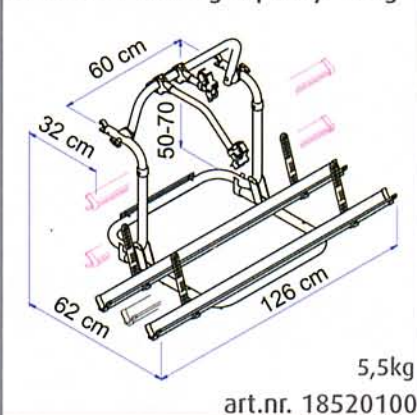
Installation: The frame is installed into two suspension hooks and a continuous tubular frame that offers support.

A new Knaus bikecarrier for 2 bikes is available (can be extended to 3 bikes).

OMNI•BIKE plus

2 BIKES SHORT VERSION

maximum loading capacity: 50kg



OMNI•BIKE plus

4 BIKES SHORT VERSION

maximum loading capacity: 60kg

