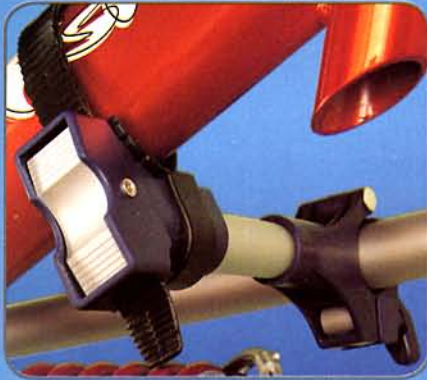


**Oval 42mm tubes
for more strength!**

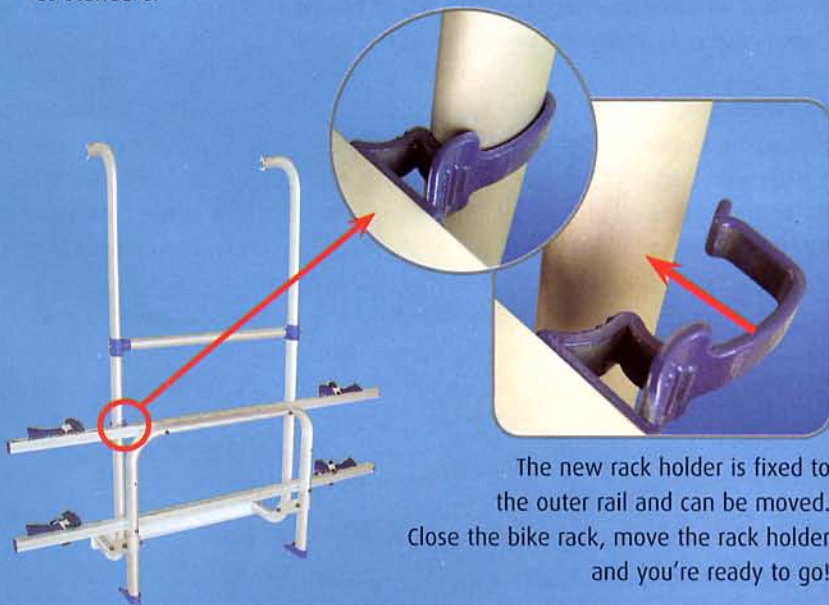


One 25mm to 70mm diameter
bikeholder per rail is supplied
as standard.



Blocking hooks
for fixation to premounted
fixation hooks
are supplied as standard!

www.motorcaravanning.co.uk



The new rack holder is fixed to
the outer rail and can be moved.
Close the bike rack, move the rack holder
and you're ready to go!



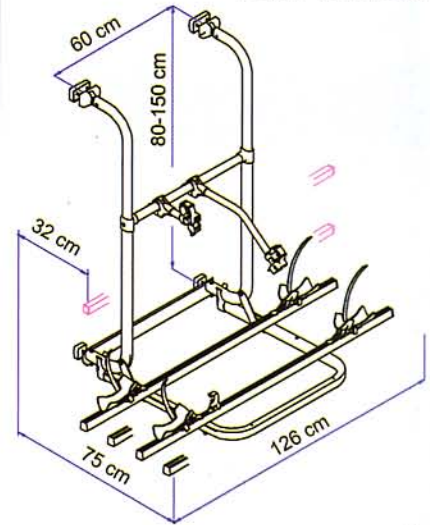
The plastic cover hides the fixings
to ensure a neat finish.



For a mounting height
smaller than 106cm the
upper arms need to be
cut down.

OMNI•BIKE deluxe
maximum loading capacity 60kg

art.nr. 18721000

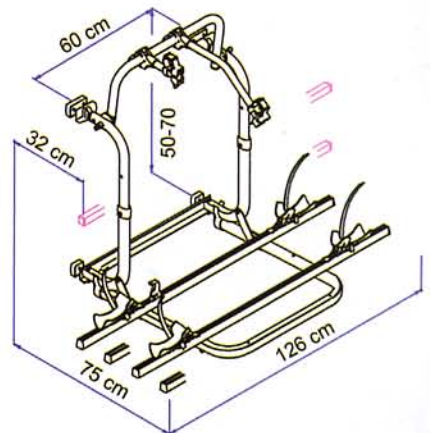


7,5kg

OMNI•BIKE deluxe
SHORT VERSION

maximum loading capacity 60kg

art.nr. 18721100



7kg

OMNI•BIKE deluxe

EXTENSION SET FOR 3 BIKES
= 1 extra rail + 1 bike holder
art.nr. 18050900

EXTENSION SET FOR 4 BIKES
= 2 extra rails + 2 bike holders
art.nr. 18051000