

OMNI•BIKE lift



Easy installation of the bikes

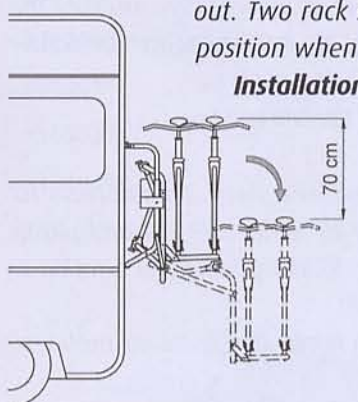
The Omni-Bike lift is a bike carrier for 2 bikes, can be extended for 3 bikes, which covers a height of 70 cm. There are 2 versions of the Omni-Bike lift. Either available with motor (12V) or with hoisting device and crank.

Operation: After lowering the bike rack into its lowest position, the bikes are easily installed and fixed in the bike rail by using the supplied bike holders. Just by pushing one button or by using the handcrank, the bikes are brought to their normal level. Use the straps to fasten the rack.

Construction: The frame is made of anodised aluminium with a 35mm diameter tube. All fixation materials are rust proof.

Comfort: The Omni-Bike lift is equipped with Quickblocker rails. One bikeholder for each bikeraile and plastic covers for an aesthetic finish both inside and out. Two rack holders keep the frame carrying the bikes, in its upright position when not being used.

Installation: When the mounting height exceeds the standard height, an optional set XL arms can be ordered for installation of the bike rack at the required height. For height up to 1,50m.



man: art.nr. 18522500 - 15,5kg
12V: art.nr. 18522600 - 15,9kg
extension set 3 bikes:
art.nr. 18051100

