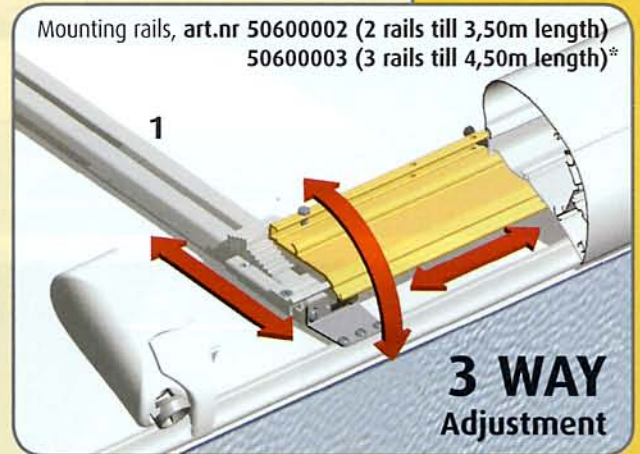
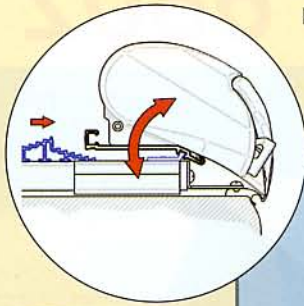


## SYSTEM 1: FLAT ROOF

Installation onto a flat roof is done by using continuous transversal profiles (1).

The adapter is installed onto these profiles and can then be moved so that the awning fits perfectly to the roof edge or caravan rail which remains free!

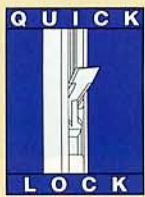
Drilling through the roof is not necessary!



Mounting rails, art.nr 50600002 (2 rails till 3,50m length)  
50600003 (3 rails till 4,50m length)\*

**3 WAY**  
Adjustment

\*For awnings of 5m and larger you need to order 2 sets of 2 rails.



## SYSTEM 2: ROUNDED ROOF

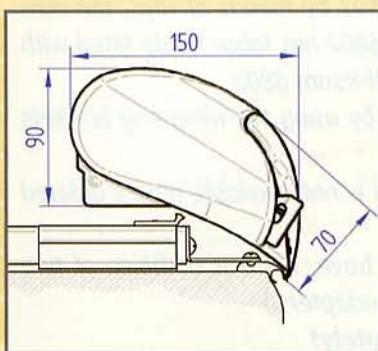
For installation on a roof with rounded edges, adapters developed in co-operation with different manufacturers of motorhomes, can be used.

The awning is integrated on the vehicle.

See page 27 for suitable adapters.



[www.motorcaravanning.co.uk](http://www.motorcaravanning.co.uk)



art.nr.	LENGTH	WITH MOTOR	PROJECTION	WEIGHT
02*260**	2,60 m	2,75 m	2,00 m	22,4 kg
02*300**	3,00 m	3,15 m	2,50 m	26,4 kg
02*32027	3,25 m(!)	3,40 m	2,50 m	28,0 kg
02*350**	3,50 m	3,65 m	2,50 m	29,6 kg
02*375**	3,75 m	3,90 m	2,50 m	31,2kg

\*0=manual , 1=motor \*\*colour code, see page 4&5

(!) Fits Ducato-Jumper-Boxer (larger wheel axle distance).