

# Pack everything in for a long trip

Have you got everything you need for the trip? You haven't forgotten anything, yet everything fits into the car?

Almost everything! The Thule|Omnistor luggage carriers give you extra storage space either on the roof or on the rear panel.







## OMNISTOR•APOLLO

### The roof box for every occasion

- **Best price /quality ratio**
- **Light-weight**
- **Elegant design**
- **Patented spring system**

The Apollo 100 opens at the rear and the lock clicks shut automatically when you close the box. The Apollo 700 opens along the right side and has a central locking system. The key can only be removed if all locking points are securely bolted. The boxes are made of high impact-resistant material with special UV protection. The box lid is light grey, whilst the base is black.

The mounting is done using the U-bolts, which are supplied as standard. You have to drill some mounting holes when you use the box for the first time. Both boxes are fitted with a specially patented spring system. This provides you with a bigger opening angle and makes it easier to open and close the box.





Apollo 100



Apollo 700

TYPE	WEIGHT	CAPACITY	L x W x H	ART. NR.
Apollo 100	11 kg	350 l	139 x 90 x 42	27 0139 11
Apollo 700	16 kg	440 l	232 x 69 x 40	27 0323 11



## CARRY ALL•BOX

### Loading at an ideal height

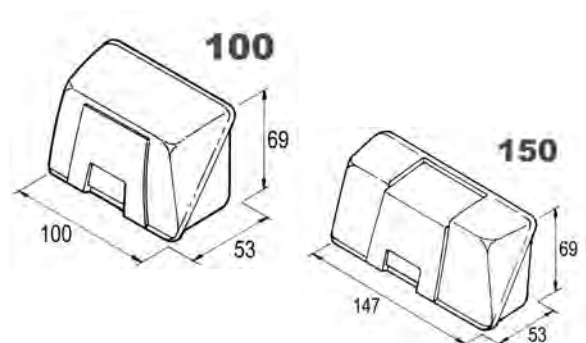
- **Mounting with or without a bike rack**
- **Fitted with a protective net**
- **Spacious**

The Carry All Box is extremely user-friendly because of its mounting height. The box can either be mounted on a bike carrier with 3 rails or directly onto the special carrier frame on the rear panel. The luggage is protected by means of an elastic protective net.

The Carry All Box exists in two different versions, both different in width and volume.

Note: when mounting onto a bike rack, the maximum loading capacity is determined by the maximum loading capacity of the bike rack minus the weight of the box.

ART. NR.	TYPE	VOLUME	WEIGHT	COLOUR
25 0000 00	100	300 l	18 kg	white
25 0001 02	150	450 l	22 kg	white





## TOP•BOX

### Ideal for roof installation

- **Three different mounting possibilities**
- **Inside frame in aluminium**
- **Cover with gas springs**

The white Top Box roof box is easy to open and close thanks to the integrated handle and comes complete with a watertight and rustproof lock.

The box is shock-absorbent and weather-resistant. It is also reinforced with an aluminium frame on the inside and has a rubber seal to ensure there is no water ingress.

Mounting by one of the three fixation sets

1. mounting rack (#50 0000 24) - 2. mounting bridges (#50 0000 23) - 3. mounting kit (#50 0000 22)

ART. NR.	TYPE	WEIGHT	CAPACITY	L x W x H	MOUNT. SURF.
25 0110 10	110	10 kg	250 l	108 x 85 x 37	88 x 62
25 0130 10	130	15 kg	375 l	134 x 94 x 43	115 x 76
25 0190 10	190	20 kg	500 l	187 x 89 x 40	172 x 72

