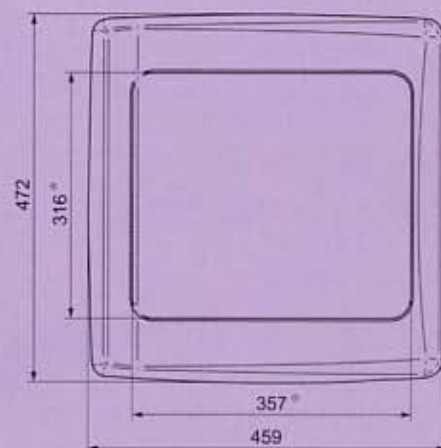
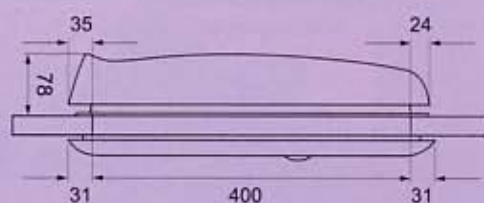
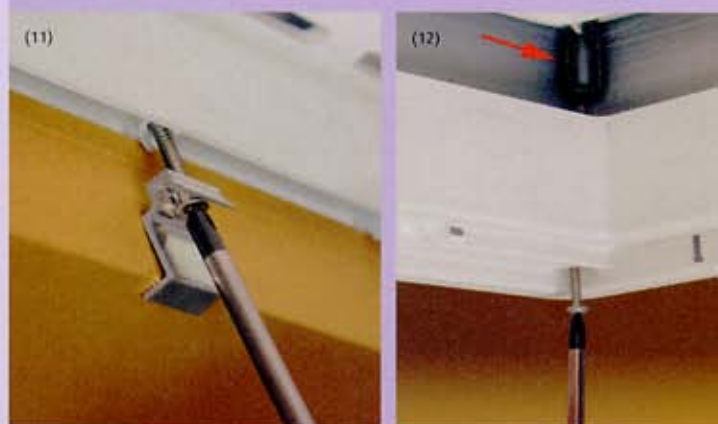


- **Installation** The roof light is mounted by means of special clamps (11) so that drilling through the roof is not necessary. This offers the best guarantee against water ingress! The standard guidance pieces (12) simplify the installation of the Omni-Vent into roof thicknesses from 25mm to 50mm. For roof thicknesses from 40mm to 60mm there is an optional set available: **art.nr.23020000**.



Looking for an Omnistor dealer? On our website you'll find addresses throughout Europe!  
[www.omnistor.com](http://www.omnistor.com) > contact



\* not applicable for version in white

art.nr.	TYPE	WEIGHT
23700100	Omni-Vent roof light white	3,0 kg
23720200	Omni-Vent roof light transp.	3,0 kg
238*0100	Omni-Vent 12Volt	4,7 kg
239*0100	Omni-Vent 12Volt thermostat	4,7 kg

\* 0 = white - 2 = transparent

## Ventilators

consumption Omni-Vent 12V	0,8 A - 5,0 A
consumption with 12V thermostat	0,2 A - 5,0 A
max. air flow	20m <sup>3</sup> / min.
diameter ventilator	300 mm

## Technical data

aperture size	400 x 400 mm
inner frame	458 x 462 mm
height (closed)	78 mm
roof thickness	25 - 60 mm
material dome white	polypropylene
mater. dome transparent	polycarbonat (Lexan)
material inner frame	polystyrene
material curtain frame	ABS
material outer frame	ASA