

# ROOF•BOX

The most economical

Gas springs to keep the cover open

Very stable due to the aluminium inner frame

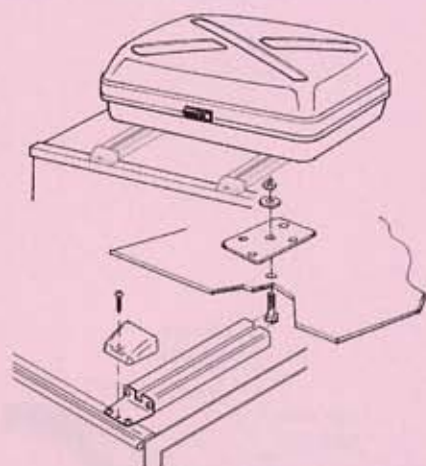
The Roof Box series are high quality boxes made of rigid polystyrene with aluminium inner frame at a budget price. The boxes are equipped with two gas springs and waterproof locks. A double installation profile makes it easy and quick to install. The colour is always light grey.



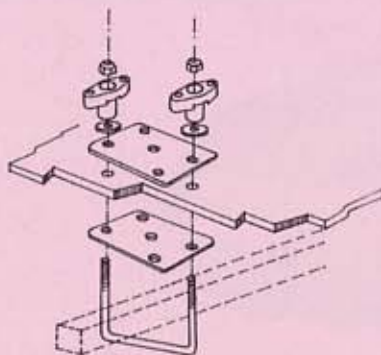
art.nr.	TYPE	WEIGHT	CAPACITY	L x W x H	MOUNT.SURE.
24015013	TOUR	13 kg	320 l	141 x 88 x 40	126 x 80
24025013	COMBI	18 kg	375 l	222 x 70 x 33	212 x 61



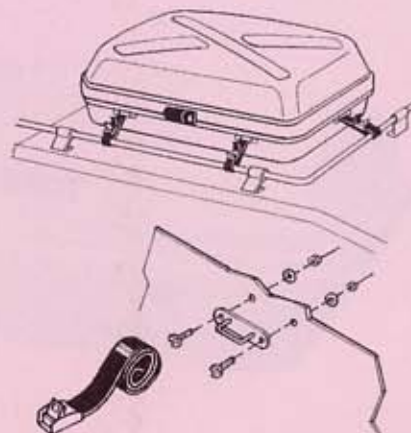
## Mounting systems for all Top-Boxes



**MOUNTING RACK**  
With this set of aluminium profiles (length 2,50m) and screws, the Top-Box doesn't need to be fitted through the roof.  
**art.nr.50000024**



**MOUNTING BRIDGES**  
Brackets for luggage rack fitting (4 pieces)  
**art.nr.50000023**



**MOUNTING KIT**  
Straps for luggage rack fitting (6 pieces).  
**art.nr.50000022**