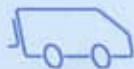


Special bike carrier models

OMNI•BIKE deluxe



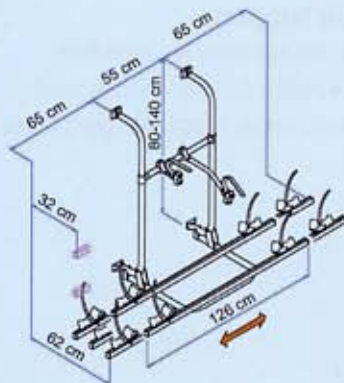
2 DOORS

This bike rack is installed on the right-hand rear door but can be adjusted for installation on the left-hand rear door (photo). The door can be opened without removing the bikes. Quickblocker rails ensure the wheels are safely locked. The Quickblockers can be moved over a length of 125cm. Extension set 3 bikes: **art.nr.18050900**.

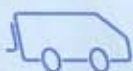
7,3kg

art.nr. 18721200

maximum capacity: 50kg



OMNI•BIKE plus



VW T4

Special frame with clamps by which the bike carrier is hung to the rear door. No drilling. Special supports for the back bumper included. Rear door can be opened with installed bike carrier.

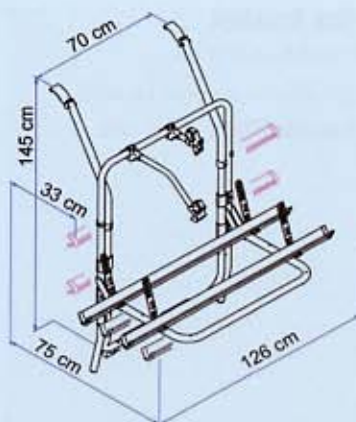
Extension sets: 3 bikes: **art.nr.18053300**

4 bikes: **art.nr.18053400**.

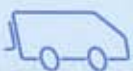
9,4kg

art.nr. 18520400

maximum capacity: 50kg



OMNI•BIKE plus



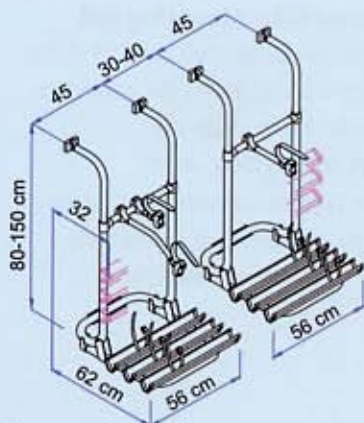
TWIN

Advantage: strong mounting due to 3 point fixing on each door. Bikes have to be removed when opening the door.

10,4kg

art.nr. 18530100

maximum capacity: 50kg



Accessories for bike carriers

Angle support 68cm

Profile for improved distribution of the pressure on the vehicle wall when installing an Omni-Bike plus.

Can also be used to conceal existing installation holes from a previous bike carrier. **art.nr.18052000**



Blocking hook >>

For installation of an Omni-Bike to an existing support. **art.nr.18051900** per 10 sets

