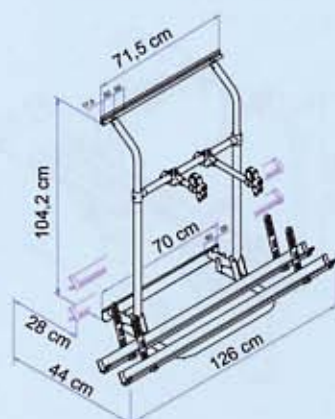


OMNI•BIKE plus W-150



The Omni-Bike plus W-150 is installed on the caravan rail. The bike rack can remain in place when using the W-150 awning (see page 22). Can be extended to a 3-bike model. Extension set: **art.nr.18053300**.

6,8kg
art.nr. 18521500
maximum capacity: 50kg

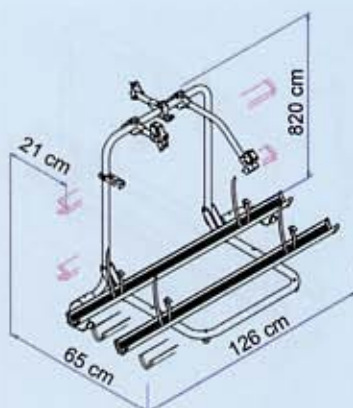


OMNI•BIKE HOBBY

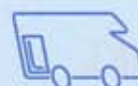


For Hobby caravans from 2004.
For older models the Rail Support can be used (see page 48).

5,9kg
art.nr. 18200400
maximum capacity: 50kg

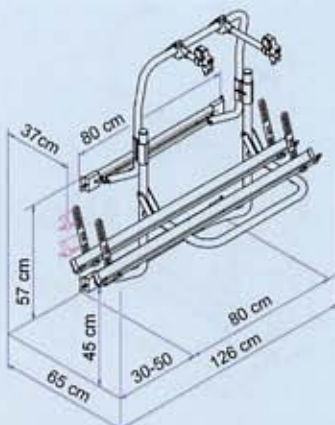


OMNI•BIKE plus GARAGE

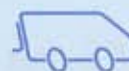


This carrier is installed in the garage space of a motorhome. Bike holders keep the bikes in place to avoid damage to bikes or other luggage. The frame is fixed to the floor and the carrier can easily be closed when it is not being used. Wall fixation is supplied as standard. Extension sets: 3 bikes: **art.nr.18053100**
4 bikes: **art.nr.18053200**.

5,6kg
art.nr. 18522400



OMNI•BIKE plus for DUCATO-JUMPER-BOXER & SPRINTER



This carrier is mounted on the rear door. The door can be opened without removing the bikes. The bike carrier rails are positioned towards the left hand side in order that the width of the bikes does not exceed the width of the vehicle!

9,5kg (installation profiles included)
art.nr. 18523210
maximum capacity: 40kg