



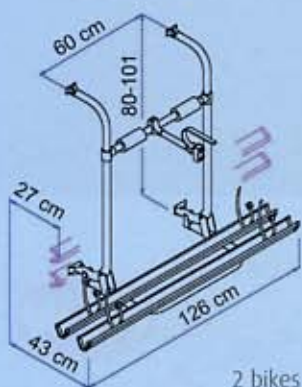
Standard model

Basic equipment

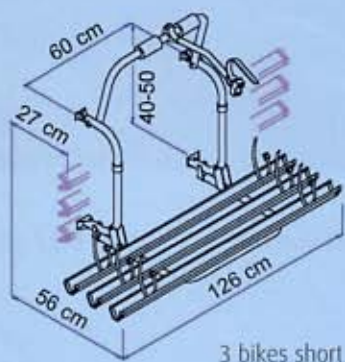
Excellent price-quality relation

The standard Omni-Bike series has a large selection of bike carriers with an excellent price-quality relation.

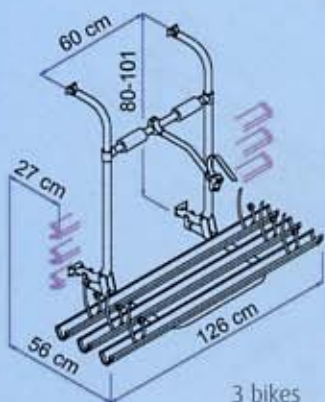
- **Construction** The 34mm diameter frame is made of anodised aluminium. The height can be adjusted till 1,01m (not for short version models).
- **Installation** The frame is installed on 4 fixation points.
- **Comfort** There is one bike holder for the outer bike. The weight of these bike carriers is very limited.
- **Extra** The FH 2 bikes model has been especially designed for fixation hooks to CI, Challenger or Chausson motorhomes. **Note: FH 2 Bikes is only suitable for premounted fixation hooks!** This model can be extended with an extra rail till a 3 bike carrier. **Remark:** other models cannot be extended.



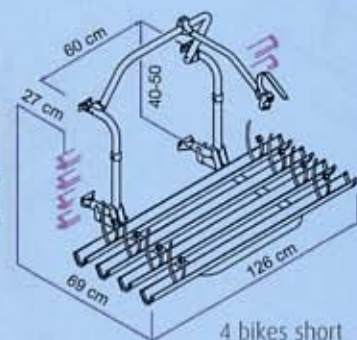
2 bikes



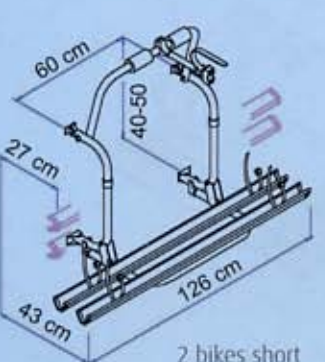
3 bikes short



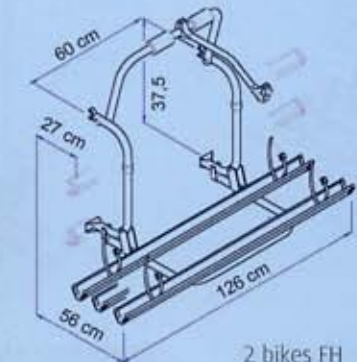
3 bikes



4 bikes short



2 bikes short



2 bikes FH



art. nr.	TYPE	WEIGHT	CAPACITY
18200000	2 bikes	5 kg	50 kg
18300000	3 bikes	6,9 kg	50 kg
18200100	2 bikes short	5,4 kg	50 kg
18300100	3 bikes short	6,7 kg	50 kg
18400100	4 bikes short	8,4 kg	60 kg
18200200	2 bikes FH	5,4 kg	50 kg