



The widest range

Easy wheel fixation

Fully equipped

Extra stability due to the one-part frame

The Omni-Bike plus series offers a large selection of high quality, fully equipped bike racks. Their quality has been renowned for many years now!

- Construction** The frame with \varnothing 35mm has been made out of anodised aluminium and consists of one continuous tube which makes the installation easier and also distributes the pressure on the vehicle wall much better (1).
 The height can be adjusted till 1,50m (not for the short version models).
 For 4 bike and 3 bike models the carrier frame has been reinforced by a stainless steel tube and the arms with aluminium tubes. For the 2 bike models the carrier frame has been reinforced by an aluminium tube.
- Installation** The frame is installed into two suspension hooks and a continuous tubular frame that offers support.
- Comfort** Rails that are equipped with a user-friendly wheel fixation (3). For every bike we have a bike-holder (2) and protection caps give an elegant inner and outer finish (5). A rack holder keeps the bike rack closed when not being used (4).
- Extra** A Knaus and Eifelland (for models till 2004) bike carrier for 2 bikes is available (can be extended to 3 bikes). See below.
 The 2-bike model can be extended to a 3-bike model by using an optional 3rd rail and bike holder (art.nr.18053300)
- Remark!** For a mounting height smaller than 106cm the upper arms can be cut down.
 Omni-Bike 2 bikes SEA: For installation to pre-mounted brackets. No extra fixation kits supplied!



(1)



(2)



(3)



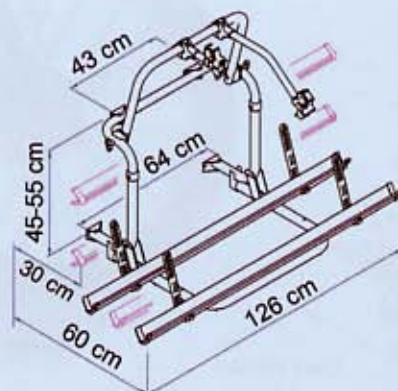
(4)



(5)

OMNI-BIKE plus

art. nr.	TYPE	WEIGHT	CAPACITY
1852000	2 bikes	6,8 kg	50 kg
1853000	3 bikes	9,4 kg	50 kg
1854000	4 bikes	11 kg	60 kg
18520100	2 bikes short	6,4 kg	50 kg
18523600	2 bikes SEA	7,8 kg	50 kg
18540100	4 bikes short	10,1 kg	60 kg
18522200	2 bikes Knaus	7 kg	50 kg



OMNI-BIKE plus 2 bikes Knaus