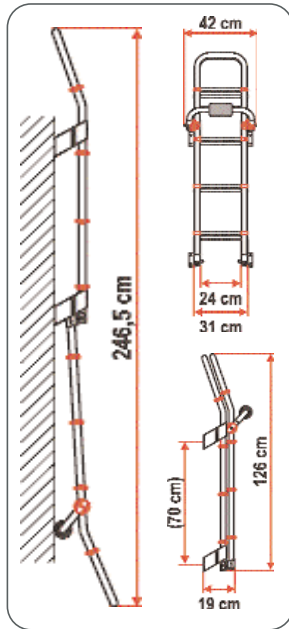


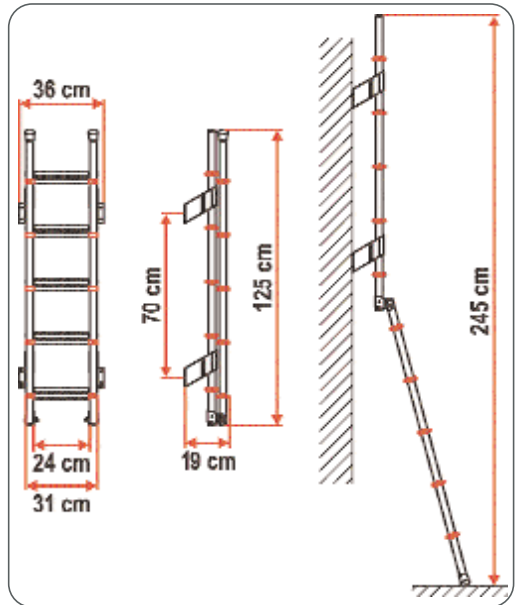
DELUXE High quality aluminium ladders



DELUXE 8

Sturdy and lightweight exterior ladder with 8 steps. 30mm diameter and 2mm thick tubes in anodized aluminium. Inside width: 24cm. Total step width: 31cm. Non-skid steps. It can be folded up while travelling.

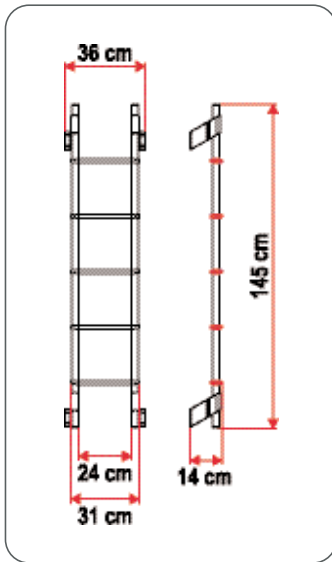
Item No.
02426-02-



DELUXE 5D

High quality exterior ladder in anodized aluminium with 10 steps. Inside width: 24cm. Total step width: 31cm. Non-skid steps. It can be folded up while travelling.

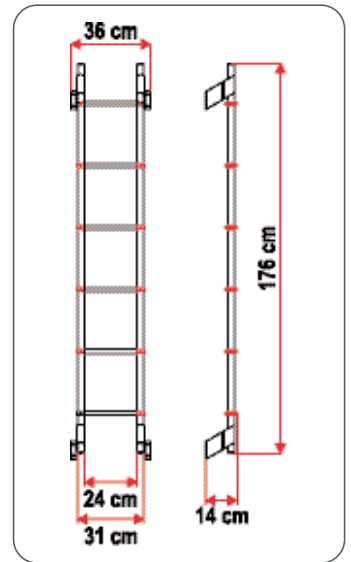
Item No.
02426-08-



DELUXE 5

Exterior ladder with 5 steps in anodized aluminium. Delivered with wall brackets for easy and quick installation. Non-skid steps. Inside width: 24 cm; total step width: 31cm.

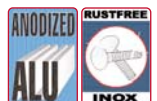
Item No.
02426-07-



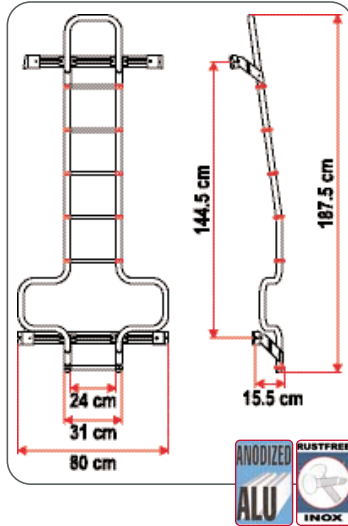
DELUXE 6

Exterior ladder with 6 steps in anodized aluminium. Delivered with wall brackets for easy and quick installation. Non-skid steps. Inside width: 24 cm; total step width: 31cm.

Item No.
02426-06-



DELUXE High quality aluminium ladders



DELUXE DJ

High quality exterior aluminium ladder. Supplied with Fixing bars for easy and quick installation on the left side of the rear door. Can be combined with Carry-Bike 200 DJ (Pag. 76). The ladder Deluxe DJ Ducato can be installed on the following vehicles: Fiat Ducato, Citroën Jumper and Peugeot Boxer. The Model 02426D01- is suitable for Mercedes Sprinter and VW LT.

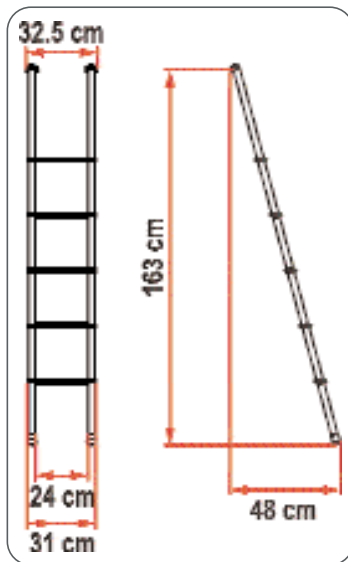
Item No.	Description
02426D01-	Deluxe DJ Ducato before 06/2006
02426-09-	Deluxe DJ Ducato after 06/2006



SAFE LADDER

Sturdy anti-theft safety plate for your motorcaravan ladder. Suitable for single and double steps. Standard delivered with Locks and key. Dimensions: 23x78 cm.

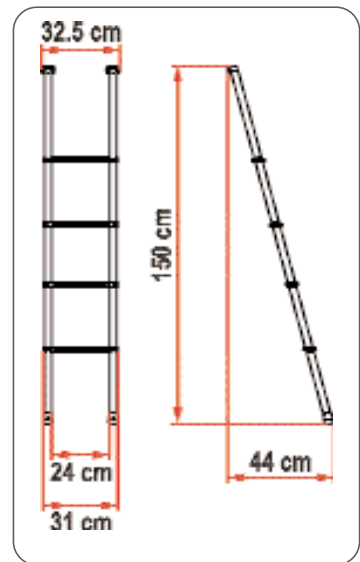
Item No.	
98656-480	



DELUXE 5B

Aluminium ladder with 5 steps with 15° inclination for the inside of luton overcab models of motorcaravan or caravans with bunks. Inside width: 24cm. Total step width: 31cm. Handy nylon hooks to hold in position.

Item No.		COMFORT 15°	ANODIZED ALU	RUSTFREE INOX
02426-13-				



DELUXE 4B

Aluminium ladder with 4 steps with 15° inclination for the inside of luton overcab models of motorcaravan or caravans with bunks. Handy hooks to hold in position. Inside width: 24cm. Total step width: 31cm.

Item No.		COMFORT 15°	ANODIZED ALU	RUSTFREE INOX
02426-12-				



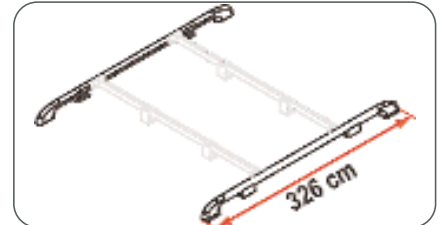
Roof Rail with Fixing-Bar Rail optional

ROOF RAIL

Luggage carrier system comprises 2 perimetric bars easy to install on motorhomes and caravans. Elegant and modern design. Solid terminals (A) are built in aluminium pressure die-casting. The aluminium anodized tubes are suitable for a quick hook up of the optional Fixing Bar Rail. The tubes are 300 cm long and easy to shorten. Complete with 4 aluminium support brackets.



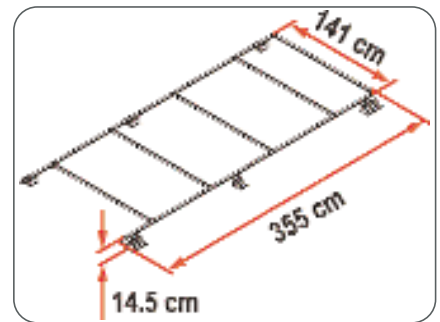
Solid terminals (A) are built in aluminium pressure die-casting



Item No.
05516-01-



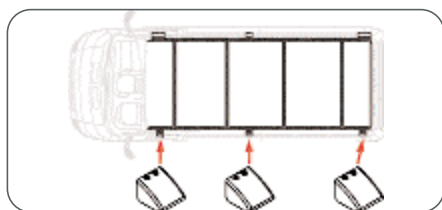
Roof Rail Ducato with F65 S awning



ROOF RAIL DUCATO

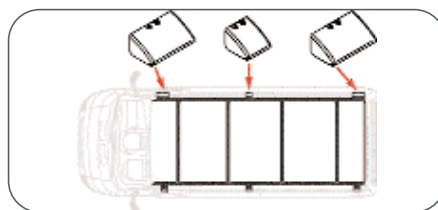
Luggage carrier system specially designed for Ducato after 06/2006, either long or short wheelbase (shortening the bars). Easy installation without drilling the vehicle, thanks to the preinstalled fixing system on the roof of Ducato. It is possible to install the roof awning F65S, on the right side only on high roof vehicles, using the brackets standard delivered. Optional available kits for the Roof Rail Ducato:

Item No.	Description
05808-01-	Roof Rail Ducato
98658-067	Kit Roof Rail D Cover Left
98658-068	Kit Roof Rail D Cover Right
98658-066	Kit Roof Rail D Super Long



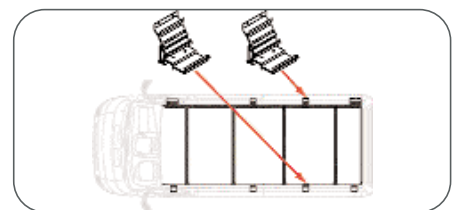
KIT ROOF RAIL D COVER LEFT

Kit composed of 3 elegant bracket covers in white, to be installed on the left side (opposite to the one arranged for the standard installation of the awning).



KIT ROOF RAIL D COVER RIGHT

Kit composed of 3 elegant bracket covers in white, to be installed on the right side in case no awning is installed. For a complete cover of the six brackets it is necessary to buy both the kits (Left and Right).



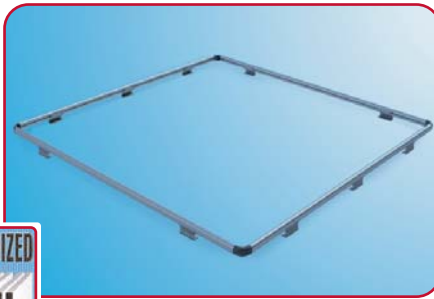
KIT ROOF RAIL D SUPER LONG

Kit composed of 2 brackets for the installation of the awning to the Fiat Ducato models with super long wheel base (no covers provided).

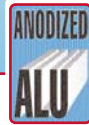
FIXING-BAR®



Roof Rail Pro 3

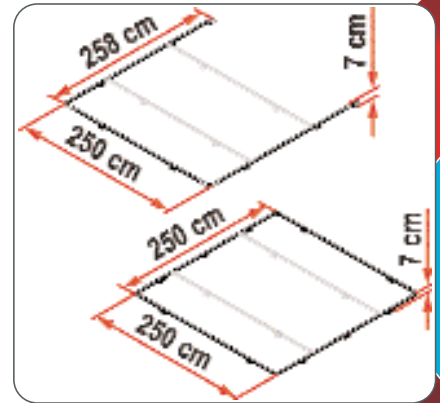


Roof Rail Pro 4

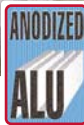


ROOF RAIL PRO

Luggage rack consisting of 3 or 4 bars (each 240cm long) and relative curved pieces. Pieces are made in anodized or painted aluminium for maximum weather resistance. It can be used with Fixing-Bar Rail.
 Roof Rail Pro 3: standard delivered with 3 bars, 2 terminals and 2 curved pieces and 6 fixing brackets. Dim.: cm 250x258x7 h.
 Roof Rail Pro 4: standard delivered with 4 bars, 4 curved pieces and 10 fixing brackets. Dim.: cm 250x250x7 h.



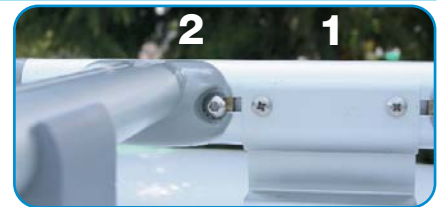
Description	Item No.
Roof Rail Pro 3	05516-02-
Roof Rail Pro 4	05516-03-



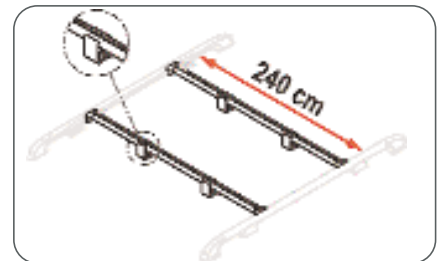
Fixing-Bar Rail with Roof Rail

FIXING-BAR RAIL

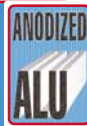
Carry-all bar created in aluminium extrusion 240 cm long easy to shorten. It can be easily used with Roof Rail (Item No. 05516-01-), Roof Rail Pro 3 (Item No. 05516-02-) and Roof Rail Pro 4 (Item No. 05516-03-) without drilling the vehicle by using the sliding hooks, standard delivered. Package includes 2 bars, each with 2 fixing terminals (2 in the picture) in aluminium pressure die-casting and 2 rubber spacers. The antiskid aluminium Cargo Plate **A**, 135 cm long is optional available.



(1) Roof Rail supporting brackets
 (2) Fixing-Bar Rail terminal.

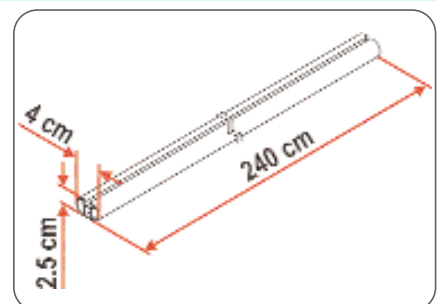


Description	Item No.
Fixing-Bar Rail	98655-075
Cargo Plate	05558-01-



FIXING-BAR PRO L

The aluminium fixing bar 240cm long can be shortened to the required length. Kit includes: 1 bar, 2 white end caps and 1 rubberspacer. To be placed on the Motorhome or Caravan roof. Ideal for supporting system for solar panels or roof boxes.



German Patents: 19731898.3 - 29722816.1

Item No.
98655-295