

SAFE DOOR®

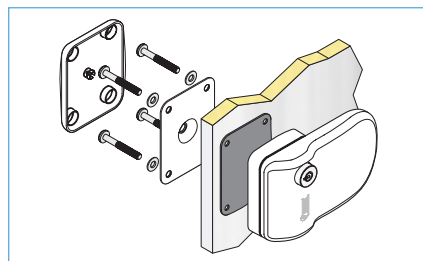
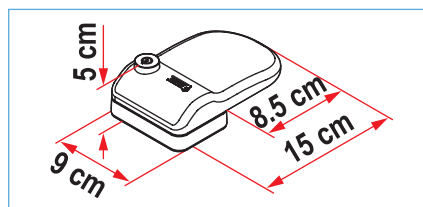


SAFE DOOR

Safety block for motorhome and caravan doors. It works as an antitheft device as it is made of sturdy anodized aluminium without plastic parts.

It is easily installed to the vehicle wall with bolts and internal counterbrackets.

In two colours available: white and grey. Dimensions: 15x9x4,8 cm.



SAFE DOOR 3 ONE KEY SYSTEM

Version of 3 Safe Door working with the same key.



Model	Item No.
Safe Door White	04688-01-
Safe Door Grey	04688-01G
Safe Door 3	04688-02-



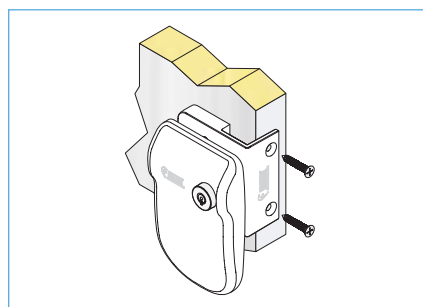
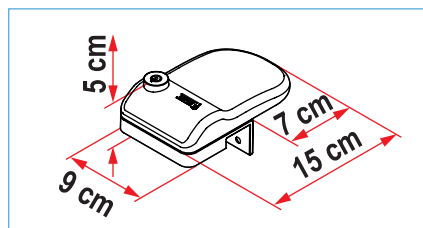
SAFE DOOR® FRAME

Safety block for motorhome and caravan door.

It works as an antitheft device as it is made of sturdy anodized aluminium without plastic parts.

Installation on the side frame of the door or garage compartment with self-tapping screws.

Dimensions: 15x9x4,8 cm. In two colours available: white and grey.



SAFE DOOR FRAME 3 ONE KEY SYSTEM

Version of 3 Safe Door Frame working with the same key.



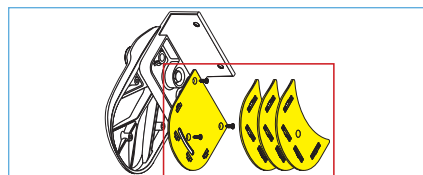
Modello	Item No.
Safe Door Frame White	04688A01-
Safe Door Frame Grey	04688A01G
Safe Door Frame 3	04688A02-



SPACER KIT SAFE DOOR

Spacer to be combined with Safe Door to reduce the gap between motorhome wall and Safe Door. Fits only on Safe Door 2007.

Kit composto da 1 piastra in alluminio e da tre distanziali in materiale plastico da 2,0 mm di spessore cadauno.



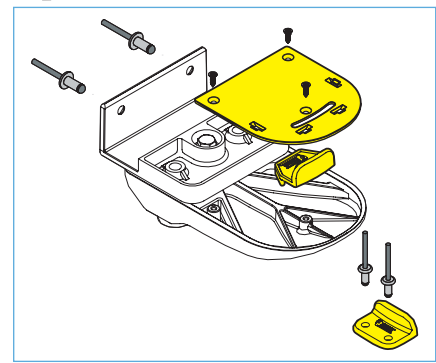
Item No.
98656-498

SAFE DOOR®



KIT SAFE DOOR® FRAME MINIVAN

Kit to allow the Safe Door Frame to be installed to the sliding doors of the following minivans: Fiat Ducato, Mercedes Sprinter, Citroën Jumper and Peugeot Boxer.
Easy wall installation with screws and rivets included.
Colour: White.

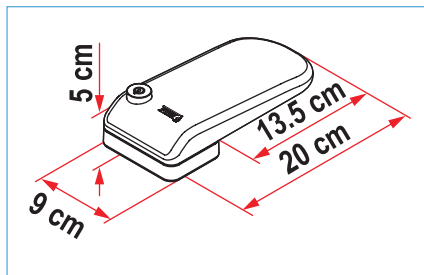


Item No.
98656-495



SAFE DOOR® MAGNUM

Same features as Safe Door, but with the length extended to 20cm in order to cover the locks of the camper doors.
Colour White.
Dimensions: 20x9x4,8 cm.



Two versions available:
- **Safe Door Magnum standard**
Installed on the wall with 4 bolts and internal counterbrackets.
- **Safe Door Magnum Frame**
installed on the inside profile of the door with two self-threading screws.

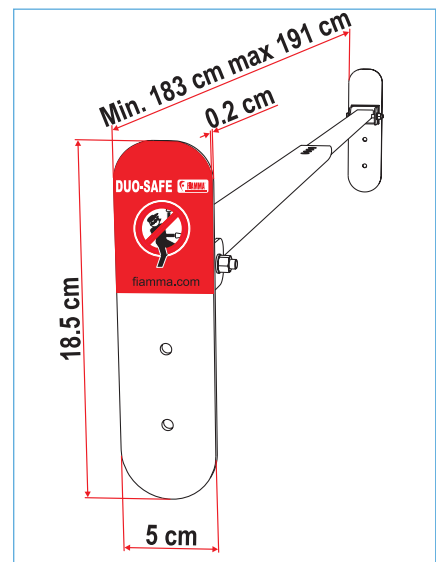
Model	Item No.
Safe Door Magnum	05348-01-
Safe Door Magnum Frame	05348A01-



Design Patent Pending

DUO-SAFE

Strong security bar allows blocking front doors from the inside.
Quick and ready to use.
Universal model thanks to the telescopic frame and hooks provided.
Suitable for the following vehicles' cabins: Fiat Ducato, Citroën Jumper, Peugeot Boxer and Renault Master before 06/2006.
Mercedes Sprinter and Fiat Ducato after 06/2006.
Antitheft warning label visible from the outside to prevent thefts.
Closed dimensions: 123,5x18,5 cm.



Item No.
05411-01-

SAFE DOOR®



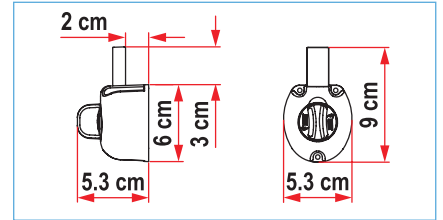
Guardian installed on the front door, driver's side.

SAFE DOOR® GUARDIAN

Security block created to be placed on the inside of the door or the garage of the motorhome or caravan and to secure the front doors of the vehicle. Excellent protection against theft as it is made of strong aluminium, without any plastic parts. It is installed instead of the standard plastic security blocks, in the same position and using the same fixing holes. 2 pieces package.

Spacer Kit Guardian

Optional spacers to align Guardian to the walls. Package includes 10 spacers 1mm each.



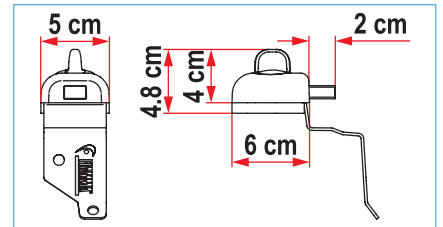
Model	Item No.
Safe Door Guardian	05388-01-
Spacer Kit Guardian	98656-496



SAFE DOOR® GUARDIAN S

Similar to the Safe Door Guardian but provided with a bracket especially designed for installation on Mercedes Sprinter doors up to 06/2006.

Two piece box.



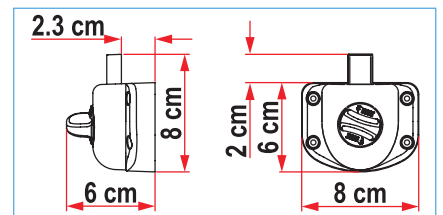
Item No.
05388-02-



SAFE DOOR® GUARDIAN T

Similar to the Safe Door Guardian but provided with a bracket especially designed for installation on Ford Transit doors before 06/2006.

Two piece box.



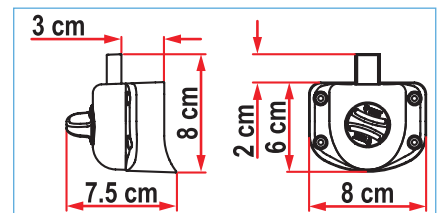
Item No.
05388-03-



SAFE DOOR® GUARDIAN D

Similar to the Safe Door Guardian but provided with a bracket especially designed for installation on Fiat Ducato after 06/2006.

Two piece box.



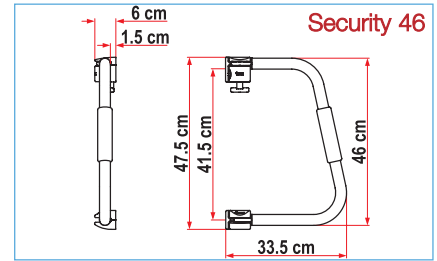
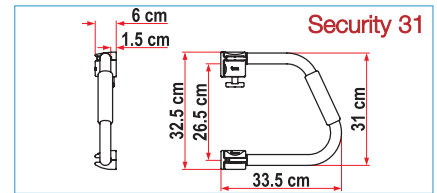
Item No.
05388-04-

SECURITY



SECURITY 31 - SECURITY 46

Elegant security handle made of solid anodized aluminium with 30mm diam. and 2mm thickness. When closed back onto the door, it works as an antitheft device and prevents accidental opening when travelling. It also serves as a useful handle to make entering and exiting the vehicle easier. It adapts to all doors opening both to the right or to the left. Complete with key lock and safety release handle, installation brackets, screws and internal counterbrackets. Comes complete with new lower bracket for the fixing on the internal section of the door, in case of mounting problems with the standard bracket. In two colours available: white and grey.

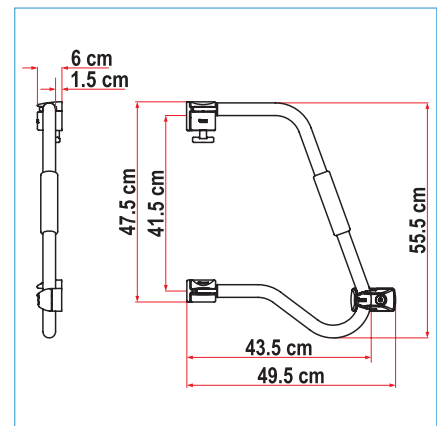


Model	Item No.
Security 31 White	03513-01-
Security 46 White	03513A01-
Security 31 Grey	03513-01G
Security 46 Grey	03513A01G

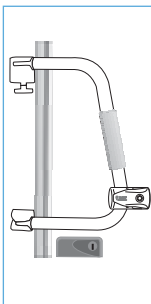
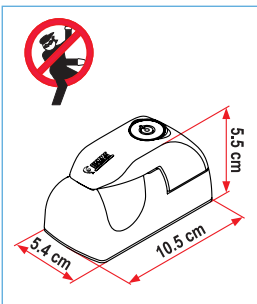


SECURITY 46 PRO

Special version of Security for motorhome doors or for applications where a strong structure is required. Made in light but solid aluminium. Colour: white. Delivered with Kit Security Lock that offers major safety and strength thanks to a third fastening point on the door. Comes complete with new lower bracket for the fixing on the internal section of the door, in case of mounting problems with the standard bracket.



Item No.
03513-04-



Kit Security Lock

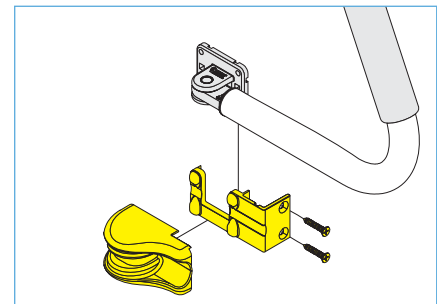
Item No.
98656-433

KIT SECURITY LOCK

Optional safety lock kit for security 31 and Security 46 to be installed on the door of the Motorhome. Comes complete with keys and inside brackets. Made of sturdy yet light aluminium. Colour: white.

KIT SECURITY FRAME

Extra safety kit for Security 31 and 46. Installation on the inside frame of the motorhome and caravan's door.



Kit Security Frame

Item No.
98656-449