

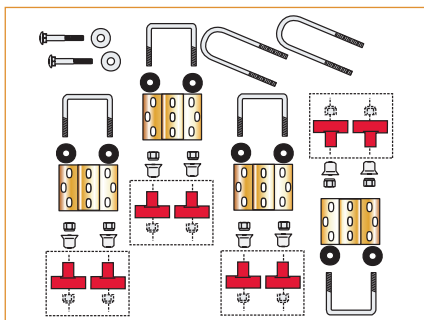


The rear boxes for motorcaravans and minivans are made with a top Quality ABS-PLUS to provide high resistance against impacts and weather conditions plus protection against ultraviolet rays. They are co-extruded with extra thickness to prevent deterioration and are supplied with stainless steel hinges and aluminium profiles. Equipped with a watertight seal, the boxes can be installed on the Carry-Bike (kit included), or on the rear of the vehicle with the optional wall-mounting kit. GS/TÜV approved and supplied with flexible net to secure the transported items.

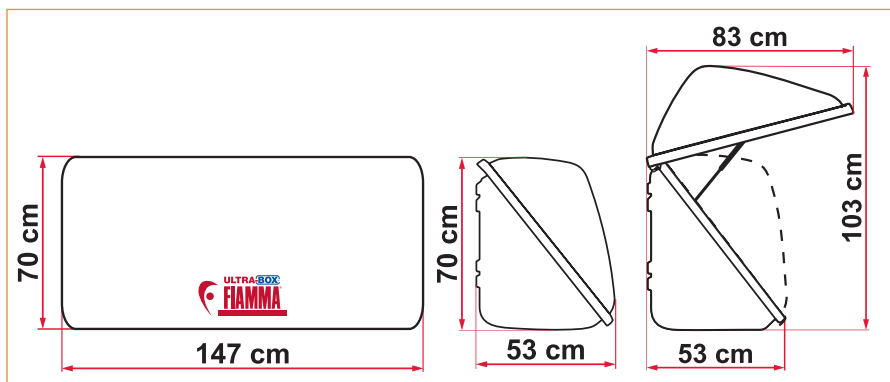


The most spacious rear boxes for Carry-Bike

### ULTRA-BOX 500

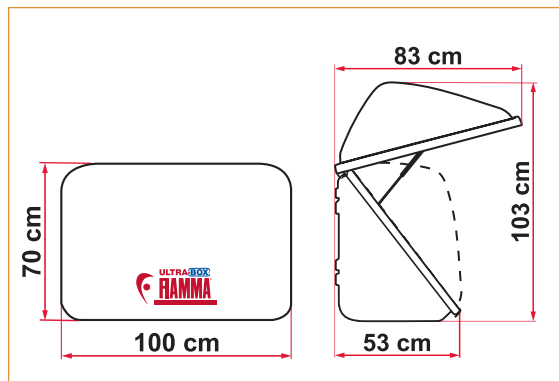


Box 180, 320, 360 and 500 are standard delivered with brackets for installation on the Carry-Bike.



Item No.	Volume	Weight
04148-01-	500 l	17 kg

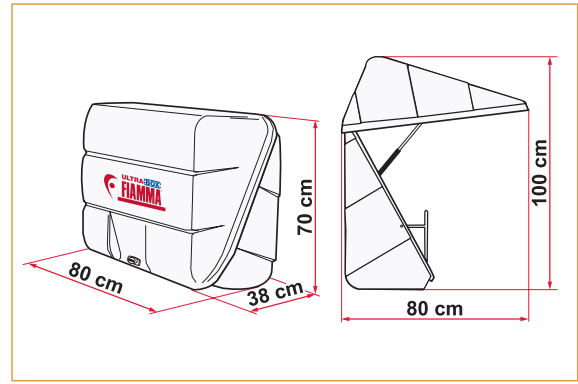
### ULTRA-BOX 320



Item No.	Volume	Peso	€
04147-01-	320 l	12 kg	360,00

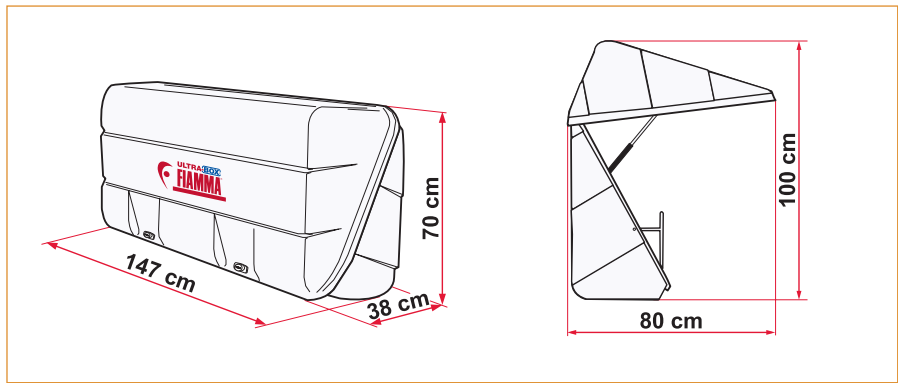
# ULTRA-BOX® The most compact rear luggage boxes for Carry-Bike

## ULTRA-BOX 180



Item No.	Volume	Weight
02800-01-	180 l	6,5 kg

## ULTRA-BOX 360



Item No.	Volume	Weight
02801-01-	360 l	14 kg

## CARGO BACK



A soft luggage bag made in sturdy anti-rip reinforced resinated nylon. Ideal for transporting chairs and camping or sporting goods. Quick attach and remove system. Takes up little space when folded. Water-proof with covered nylon YKK zippers. Cargo Back can easily be installed on a rear bike carrier. Fixing straps included.



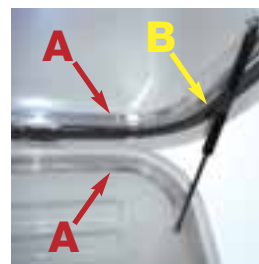
Item No.	Dimensions	Volume
03856-01-	35x120x67 cm	285 l



The best motorhome roof boxes

The superior roof boxes for your motorhome and motorcaravan with completely reinforced aluminium structure and watertight foam seal

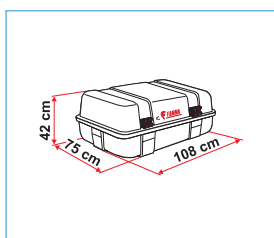
The classic roof-boxes have been improved even further. Made of superior quality ABS-PLUS highly resistant to impacts and weather conditions, with co-extruded high-thickness UV protection to prevent deterioration of quality. Complete with installation brackets and rust-proof stainless steel hinges. Colour: Polar white.



► Completely reinforced aluminium structure (A) and watertight foam seal (B).

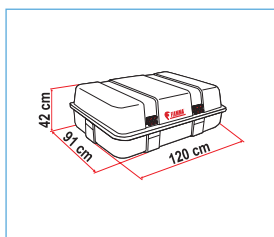
## ULTRA-BOX 1 TOP

Item No.	Volume	Weight
02083-01-	280 l	10 kg



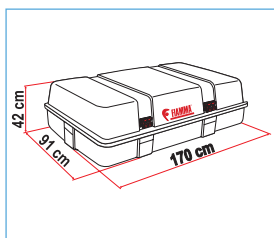
## ULTRA-BOX 2 TOP

Item No.	Volume	Weight
02084-01-	400 l	13 kg



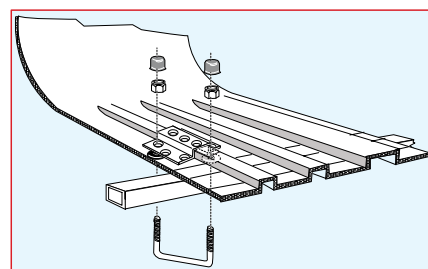
## ULTRA-BOX 3 TOP

Item No.	Volume	Weight
02085-01-	520 l	17 kg



Kit of 6 fixing brackets standard delivered for Ultra-Box 3.

4 brackets for Ultra-Box Top 1, 2, Sport Pro.

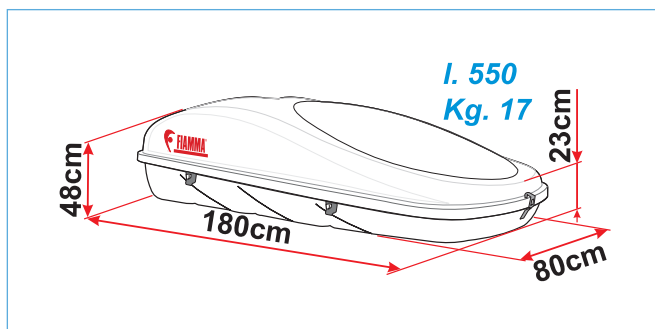


# ULTRA-BOX® The elegant and aerodynamic roof box



## ULTRA-BOX SPORT PRO

Large capacity box.  
Elegant aerodynamic design with better wind-resistance when installed on roofs of motorhomes, vans and cars.  
Practical side opening with double safety lock.  
Security front hook.  
Complete with installation brackets and stainless steel screws.  
Colour: Polar white.



Item No.	Volume	Weight
02086-01-	550 l	17 kg

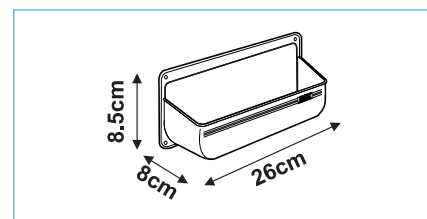
# POCKET



## POCKET M

Multipurpose pocket made of scratch resistant plastic, easy to install with the provided screws. Colour: White.

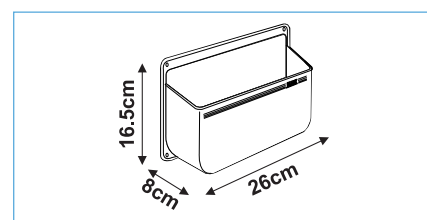
Item No.
03177-01-



## POCKET L

Multipurpose pocket of scratch resistant plastic, easy to install with the provided screws. Colour: White.

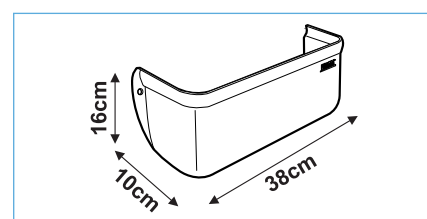
Item No.
03178-01-



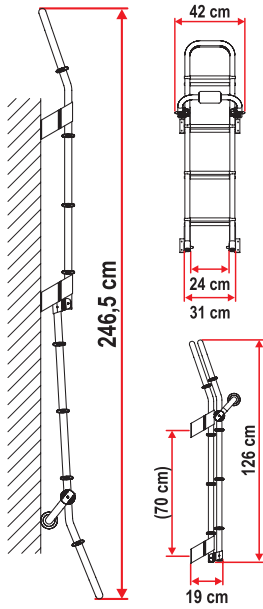
## POCKET XL

Practical stowaging pocket that can be easily installed on the vehicle doors or walls with screws included. In scratch resistant ABS. Colour: Grey.

Item No.
03284-01-



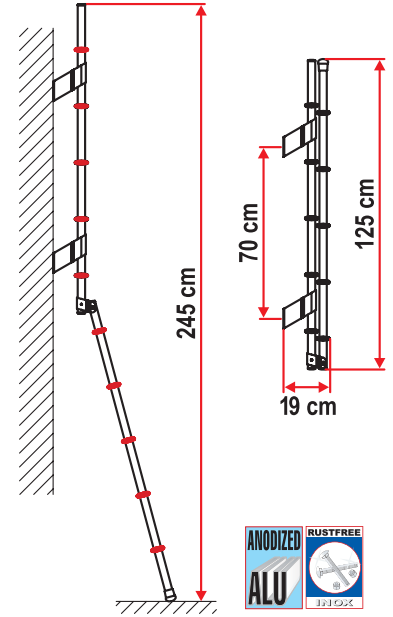
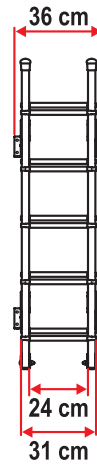
# DELUXE High quality aluminium ladders



## DELUXE 8

Sturdy and lightweight exterior ladder with 8 steps. 30mm diameter and 2mm thick tubes in anodized aluminium. Inside width: 24cm. Total step width: 31cm. Non-skid steps. It can be folded up while travelling.

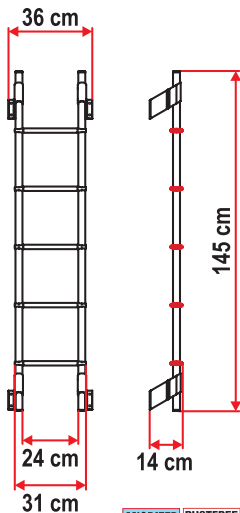
Item No.
02426-02-



## DELUXE 5D

High quality exterior ladder in anodized aluminium with 10 steps. Inside width: 24cm. Total step width: 31cm. Non-skid steps. It can be folded up while travelling.

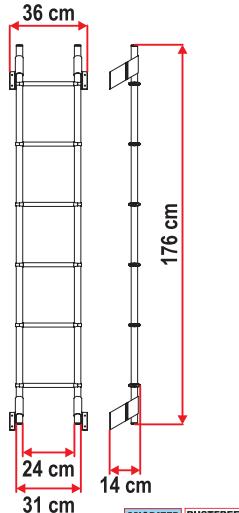
Item No.
02426-08-



## DELUXE 5

Exterior ladder with 5 steps in anodized aluminium. Delivered with wall brackets for easy and quick installation. Non-skid steps. Inside width: 24 cm; total step width: 31cm.

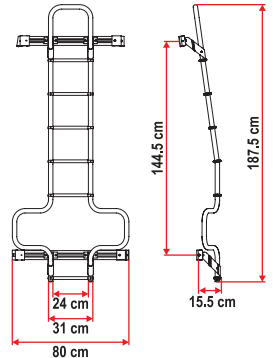
Item No.
02426-07-



## DELUXE 6

Exterior ladder with 6 steps in anodized aluminium. Delivered with wall brackets for easy and quick installation. Non-skid steps. Inside width: 24 cm; total step width: 31cm.

Item No.	€
02426-06-	125,00



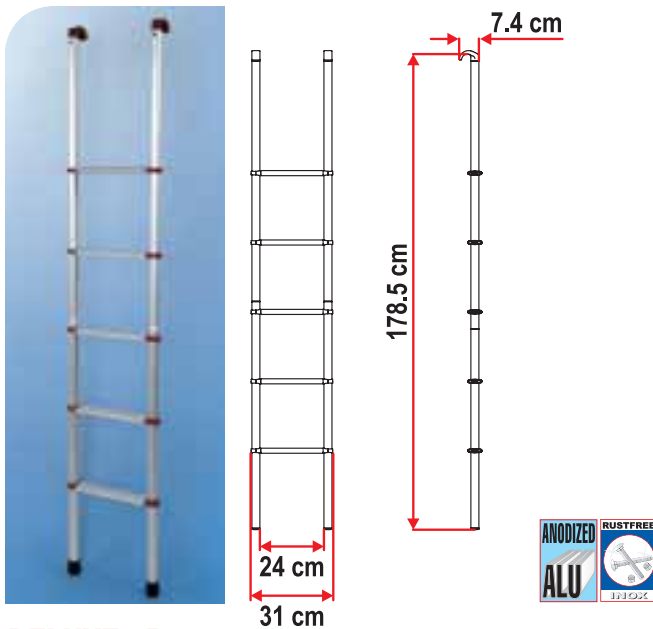
## DELUXE DJ

High quality exterior aluminium ladder. Supplied with Fixing bars for easy and quick installation on the left side of the rear door. Can be combined with Carry-Bike 200 DJ (Pag. 64). Deluxe DJ Master ladder can be installed only to high roof vehicle. For installation on vehicles after 06/2006 you need to drill.

Item No.	Description
02426D01-	Deluxe DJ Ducato before 06/2006
02426-09-	Deluxe DJ Ducato after 06/2006
02426-10-	Deluxe DJ Master after 06/2006

# DELUXE

## High quality aluminium ladders

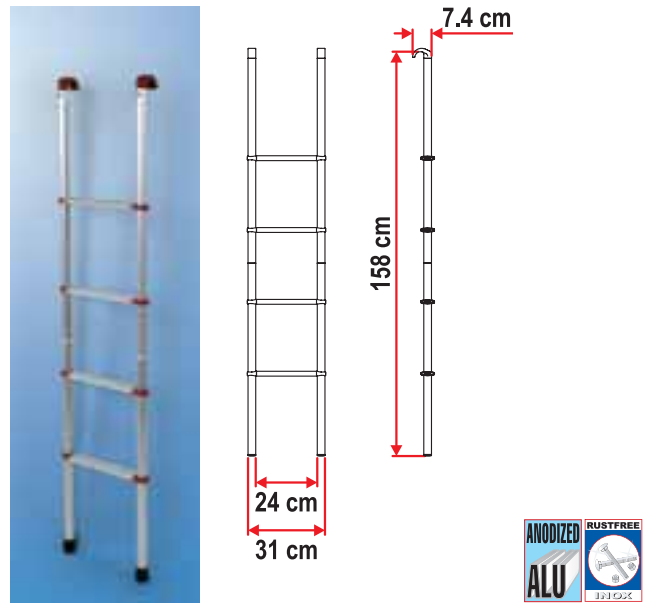


### DELUXE 5R

Aluminium ladder with 5 steps for the inside of luton overcab models of motorcaravan or caravans with bunks. It can be disassembled in 2 pieces. Handy hooks to hold in position. Inside width: 24cm. Total step width: 31 cm.

Item No.

02426E01-

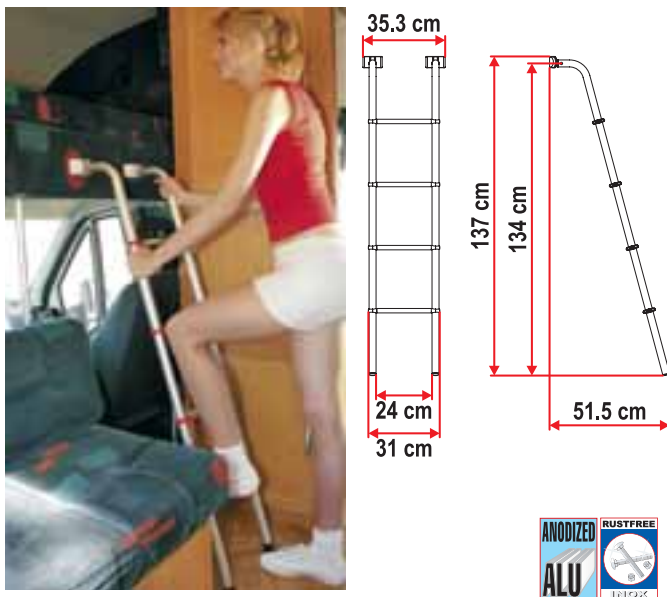


### DELUXE 4R

Aluminium ladder with 4 steps for the inside of luton overcab models of motorcaravan or caravans with bunks. It can be disassembled in 2 pieces. Handy hooks to hold in position. Inside width: 24cm. Total step width: 31 cm.

Item No.

02426B01-

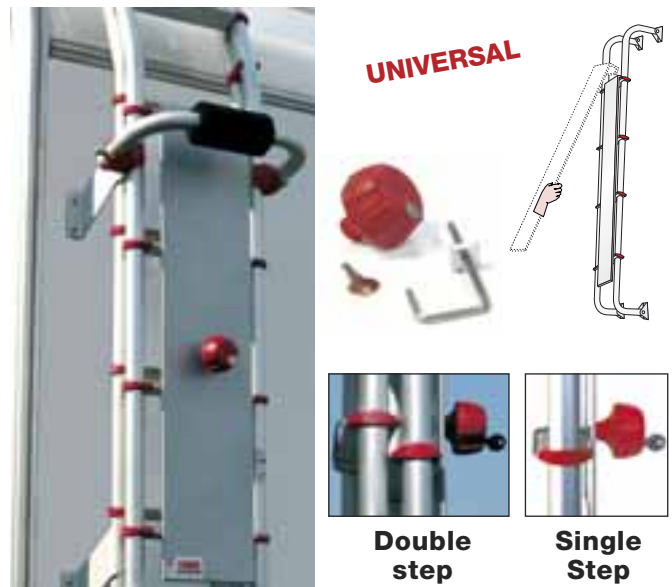


### DELUXE 4S

Aluminium ladder with 4 steps for the inside of luton overcab models of motorcaravan or caravans with bunks. Standard delivered with fixing brackets for the bed structure to allow maximum stability. Inside width: 24cm. Total step width: 31 cm.

Item No.

02426-05-



### SAFE LADDER

Sturdy anti-theft safety plate for your motorcaravan ladder. Suitable for single and double steps. Standard delivered with Locks and key. Dimensions: 23x78 cm.

Item No.

98656-480

**Roof Rail with Fixing-Bar Rail optional****ROOF RAIL**

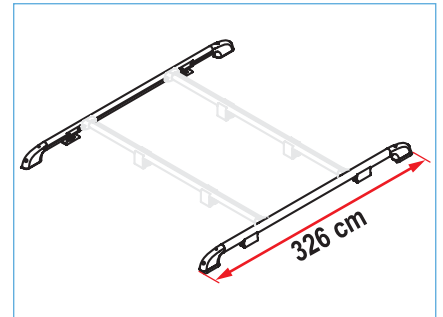
Luggage carrier system comprises 2 perimetric bars easy to install on motorhomes and caravans. Elegant and modern design.

**Solid terminals (A) are built in aluminium pressure die-casting.**

The aluminium anodized tubes are suitable for a quick hook up of the optional Fixing Bar Rail. The tubes are 300 cm long and easy to shorten. Complete with 4 aluminium support brackets (1 in the picture below).



Solid terminals (A) are built in aluminium pressure die-casting

**Item No.**

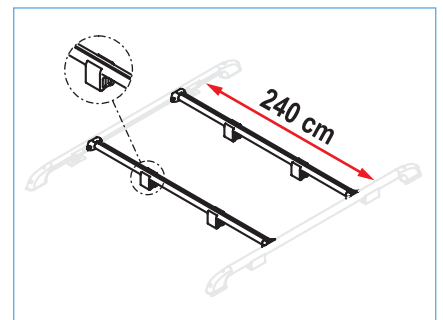
05516-01-

**Fixing-Bar Rail with Roof Rail****FIXING-BAR RAIL**

Carry-all bar created in aluminium extrusion 240 cm long easy to shorten. Package includes 2 bars, each with 2 fixing terminals (2 in the picture) in aluminium pressure die-casting and 2 rubber spacers.



(1) Roof Rail supporting brackets  
(2) Fixing-Bar Rail terminal.

**Item No.**

98655-075



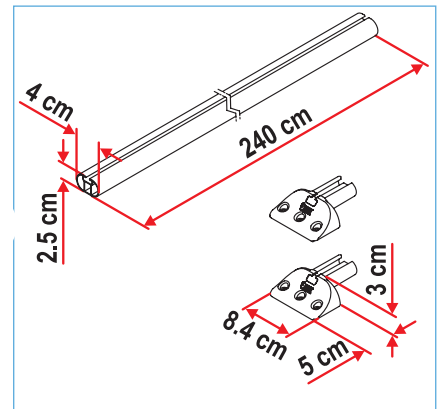
ANODIZED  
ALU

## Fixing-Bar Pro L

German Patents: 19731898.3 - 29722816.1

### FIXING-BAR PRO L

The aluminium fixing bar 240cm long can be shortened to the required length. Kit includes: 1 bar and 2 white end caps. To be placed on the Motorhome or Caravan roof. Ideal for supporting system for solar panels or roof boxes.



Item No.

98655-295



ANODIZED  
ALU

## Imperial R240

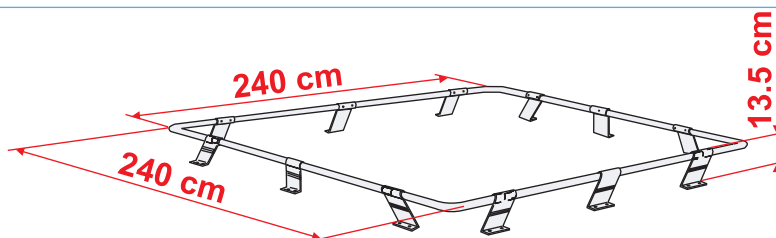


### IMPERIAL R240

Luggage rack consisting of 4 straight tubes and 4 curved tubes with 30mm diameter and 2mm thickness.

Made in anodized aluminium for maximum resistance against bad weather.

Universal size: 240x240x13.5cm that can be easily cut to required size.



Item No.

02429A01-