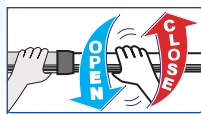




Available in two versions:  
 - Standard: from 250 to 400 cm  
 - XL: from 450 to 500 cm



## MAGICRAFTER®

### Universal Rafter

Innovative universal telescopic Rafter in anodized aluminium. It is easily installed by hooking the ends onto the awning arms, while keeping them tight to avoid bending. It also fits awnings of other brands.



Model	Item No.
Standard	98655-716
XL	98655-717

German Utility Model: 20 2005 002 553.4



German Utility Model: 20 2005 002 553.4

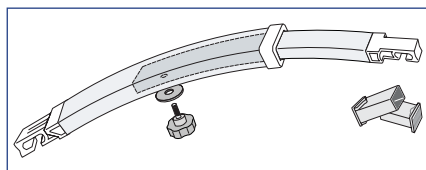
## RAFTER

### Tension rafter in aluminium to keep the fabric tight

Anodized aluminium tension rafter supplied with special wall clips for storage inside the vehicle. Adjustable length from min 142 to max 265cm. Suitable for awnings with max 250cm extension. Complete with rubber ends so it can be installed on other awning brands.



Item No.
98655-087

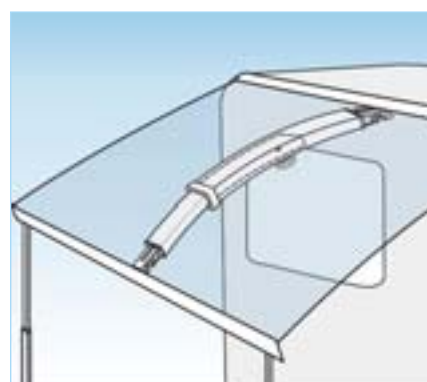


German Utility Model: 297 17 092

## RAFTER PRO

### Curved tension rafter eliminates water pooling and noisy flapping of fabric in the wind.

The tension Rafter PRO is easy to install without making any holes in the awning. It keeps the fabric tight, eliminating water pooling from rain and any noisy flapping of fabric in the wind. Plus, there is more clearance for vehicle doors. The rafter is made of two sturdy anodized aluminium telescopic bars. Ideal for awnings with extension up to 250cm, it adapts from min 144cm to max 265cm. length. Complete with rubber ends so it can be installed on other awning brands. Limit usage at high temperatures.



Item No.
03616A01-



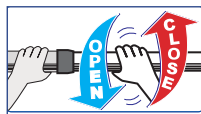
## RAFTER L

### Rafter for F45i L, Zip and F65

Spring rafter is made of solid anodized aluminium. Quick fixing system without screws. Standard delivered with F45 Ti L, Zip 450 and F65 400 - 450 - 490.



F45Ti L



Item No.	
	98655-679



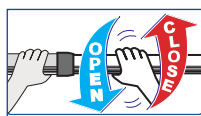
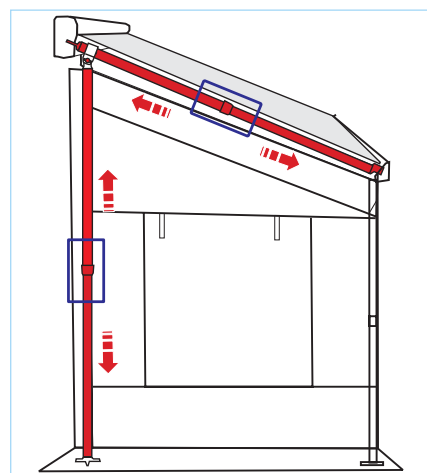
## RAPID SET

Sturdy "do it yourself" fixing system for the side enclosure of the F45 Ti / Ti L awnings.

Easy to use, in telescopic anodized aluminium.

Poles have a 30mm diameter. Set of 2, complete with 10 privacy clips.

Max. dimensions: 250x280cm



Item No.	
	03732-01-



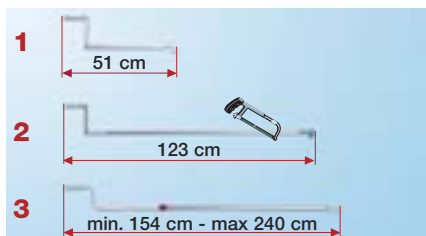
## CRANK HANDLE

Crank handle in ultralight aluminium in versions:

- 1) **Short:** with folding handle, ideal for Minivans, weight: only 0.24kg.
- 2) **Standard:** standard delivered with F45 Ti, with folding handle, ideal for all Motorhomes, easy to shorten, weight: only 0.4kg.
- 3) **Telescopic:** standard delivered with F45Ti L and F65 Top, telescopic crank handle with fixed handle, ideal for high motorhomes and roof awnings, weight: only 1.32kg.



*All handles are standard delivered with clips for storage inside the motorhome.*



Model	Dimensions	Item No.	
Short	51 cm	01756B01A	
Standard	123 cm	04660-01-	
Telescopic	min. 154 cm / max 240 cm	03878B01-	

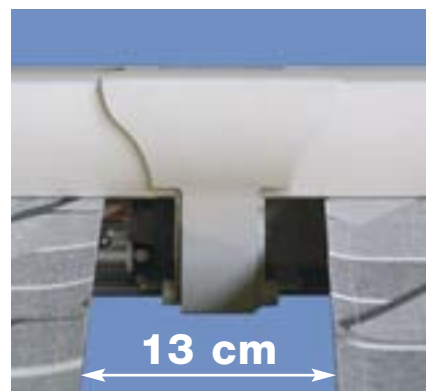


German Utility Model: 202 14 909.9

## KIT DOUBLE AWNING

### Cover adapter for awnings F45 Ti

On large motorhomes it is possible to install two awnings side by side with winches on the outer ends. With the new cover adapter and the support brackets in aluminium, it is possible to join the two awnings (one standard, with winch installed on the right hand side, and one awning with winch installed on the left hand side), making them look like one single awning and improving the look of the vehicle.

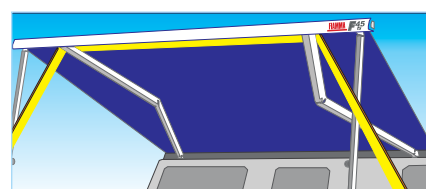


Colour	Item No.
Polar White	98655-759
Titanium	98655-760



## TIE DOWN

Useful strap to hold the awning firmly anchored to the ground in case of wind. The kit includes 11m of black or yellow adjustable band, stakes and a tension spring. It fits crank awnings and traditional annex up to 600cm length.



### Exclusive extra-Strong stake

Colour	Item No.
Yellow	98655-128
Black	98655-129



SPOILER S Polar White



SPOILER M Polar White

Design Model 402 07 150.6

## SPOILER

Optional Spoiler for Fiamma awnings with an exclusive design to reduce wind resistance and also improving the aesthetics of the vehicle. Easy to adapt to other awning brands already installed on the vehicle. It can be attached on the right or the left side. It is made of ABS PLUS with coextruded UV protection. It can be easily fastened to the vehicle wall with SIKA. Colour: Polar White and Titanium.

Model	Dimensions	Item No.
<b>S - F45 Ti/Ti L - Polar White</b>	16x15,5 cm	05150-01A
<b>M - F45 Ti - Polar White</b>	24,5x17 cm	04650-01A
<b>M - F45 Ti L - Polar White</b>	27,5x19 cm	04651-01A
<b>S - F45 Ti/Ti L - Titanium</b>	16x15,5 cm	05150-01T
<b>M - F45 Ti - Titanium</b>	24,5x17 cm	04650-01T
<b>M - F45 Ti L - Titanium</b>	27,5x19 cm	04651-01T



### FIAMMASTOR PLATE

Ideal for fixing front legs to the ground, in order to increase the resistance in case of strong wind and to protect the legs. Made with extra strong plastic. It is suitable for all types of Fiamma and Omni awning legs. Delivered with pegs. Colour: Platinum. Dimensions: 20x20 cm. Kit 2 pieces.



Item No.
98655-724



### KIT AWNING HANGERS

Kit composed of 6 hooks to insert in the lead bar profile to hang light objects. Suitable also for other awning brands with 7 mm slot.

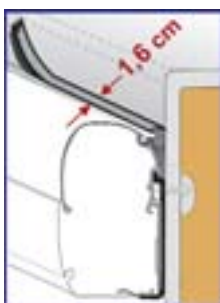


Item No.
98655-743

**RAIN GUARD** Convenient rubber guard to seal the space between the Fiammastor and the vehicle wall to prevent water from infiltrating. **It is installed to the case without removing the awning.**

#### Rain Guard S

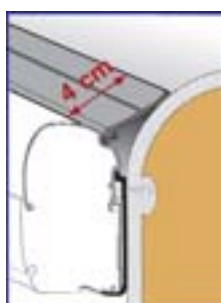
For awnings installed with standard AS 120 brackets on flat walls. Sold by meter.



Item No.
03910-01-

#### Rain-Guard M

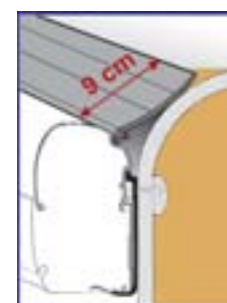
For awnings, mounted with adapter spaced out from the wall (up to 4cm) or on curved walls. Sold by meter.



Item No.
03477-01-

#### Rain-Guard L

For awnings, mounted with adapter spaced out from the wall (up to 9cm) or on curved walls. Sold by meter.



Item No.
04629-01-

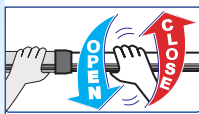


### REPAIR KIT PLUS

It is no longer necessary to replace the fabric of the awning if it gets cut! With the new magic Repair Kit Plus from Fiamma the

do-it-yourself repair is so quick and easy! The kit includes 3 transparent PVC strips.

Item No.
98655-466



### RAFTER Caravanstore

In anodized aluminium with 30mm diameter. Standard delivered with Caravanstore 410 and 440 and on Caravanstore Zip 440. Optional for Caravanstore from 255 to 360 cm and F35 Pro from 250 to 300 cm. Available also the version for Side Caravanstore with special fitting brackets.

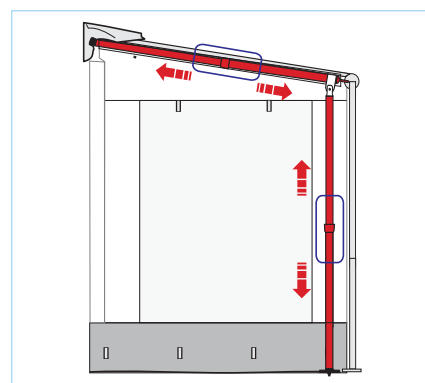
Model	Item No.
Rafter Caravanstore	03888-01-
Rafter Side CS	03888C01-



### Caravanstore Support Leg

Reinforced legs developed to be fixed to the frontal tube of the Caravanstore to increase resistance. Standard delivered with Caravanstore 440 and Caravanstore Zip 360, 410 and 440. Optional for the other lengths.

Item No.
03732C01-

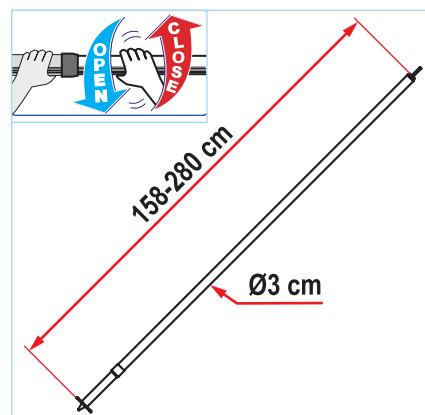


### DOOR POLE

#### Privacy Room and ZIP frontal vertical telescopic pole

Anodized aluminium pole placed vertically to support the frontal panel allowing increased stability when the door is kept open. Standard delivered with Privacy Room and Zip from 4,5m.

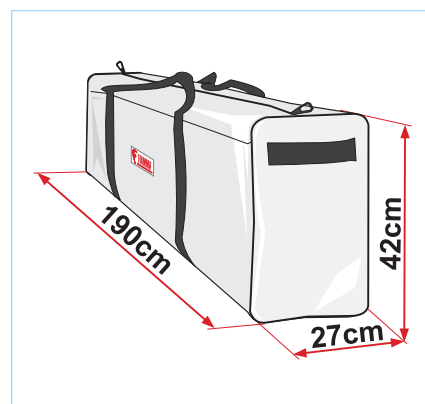
Item No.
05161-02-



### MEGA BAG

Large strong bag, suitable for transporting goods in the storage compartment. Standard delivered with Privacy Room and Zip. Optional for Blocker. Dimension: cm 190x27x42h

Item No.
03856B01-

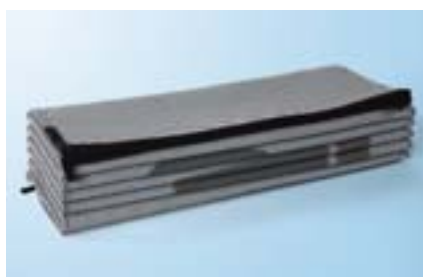




**The essential accessory for your Fiammastor® and Privacy® Room**



Complete with bands at the tips to fix the Mat to the ground through pegs (not standard delivered).



Patio Mat is composed by 3 panels, easy to fold.

The new Fiamma **PATIO-MAT** is an essential accessory for your Fiammastor and Privacy Room.

**Light weight and easy to fold**

The fundamental change of Patio Mat is the manufacturing system, obtained by weaving small polypropylene pipes. This system allows the air to go through leaving the carpet really light and easy to carry. Patio Mat is composed by three panels, easy to fold along the central seams.

**Easy to clean**

Patio Mat is easy to clean by removing the dirt from the surface and wash with water. It dries in the open air.

**It doesn't damage the grass**

The particular weaving of the small pipes allows the air to go through and doesn't damage the grass.

**Double-Face design**

The double face design allows the use of both sides of the Patio-Mat.

**UV protection**

Patio Mat is UV-ray resistant and guarantees the colour and the technical features in time.

Complete with bands at the tips to fix it to the pegs (not standard delivered) in case of wind.

Made in Polypropylene Available in 3 lengths.

Item No.	Description	Dimensions	Awning Length	Surface	Weight
05913-01-	<b>Patio-Mat 290</b>	2.9 x 2.5 m	300-310	7.25 m <sup>2</sup>	3.2 kg
05914-01-	<b>Patio-Mat 340</b>	3.4 x 2.5 m	350-360	8.50 m <sup>2</sup>	3.5 kg
05915-01-	<b>Patio-Mat 390</b>	3.9 x 2.5 m	400-410	9.75 m <sup>2</sup>	3.8 kg



Skirting Motorhome optional

**SKIRTING**

Optional protection against wind and rain that eliminates draughts.

Complete with installation kit.

Suitable for Privacy 450cm long but can be easily shortened.

Dimensions: cm 450x60h.

Available in two versions: for Motorhome and for Caravan.

Model	Item No.
<b>Skirting Motorhome</b>	98655-090
<b>Skirting Caravan</b>	98655-084