

CAMOS

Flat-Sat

Crank-up Satellite Antenna



1. Contents:

Quantity	Description
1	Antenna Selsat HD 10
1	Lift and Rotation Unit (pre-assembled)
2	Ceiling Support plates
1	Ceiling plate
1	Rotation handle
1	Elevation handle
1	Spring
1	Washer
1	Graduation disc
1	Antenna cable 5m one side with F-series connector
1	F-connector
1	Protector Gel
1	Cable entry box
	Screws

2. Tools required:

Electric Drill
Drill bits: 1,5mm and 13mm
Hole saw 38 mm diameter
Crosstip screwdriver
Slotted screwdriver
Centre punch
Measuring tape
Cutter
Adhesive tape
Adhesive such as <i>Sikaflex</i>
Marker

3. Installation Planning

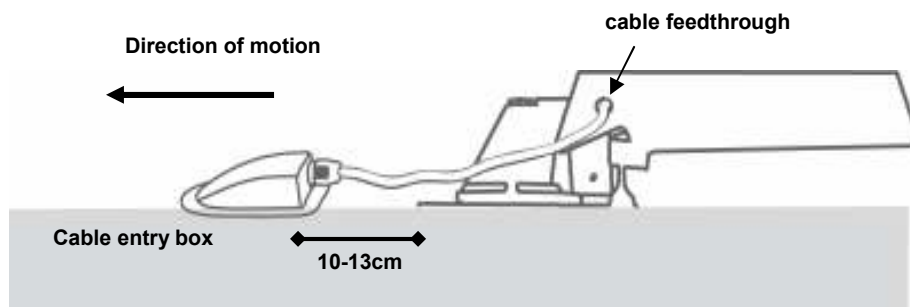
Decide where you wish to mount your satellite system.

Location of the lift assembly must allow antenna to point towards the rear of the vehicle when resting in the travel position, and must clear all roof mounted equipment when being raised, lowered or rotated.

The inside ceiling must be clear of obstructions to ceiling plate and handle. Before drilling, check for cables or obstructions within the roof space.

Tape the drill template to the roof of the vehicle in the position where the lift assembly will be installed. Mark the centre hole as well as mounting holes. **Ensure that the lift assembly is located in front of the antenna pointing in direction of motion.**

The roof perforation for antenna cable should be located approx. 13 cm in front of lift assembly (in direction of motion).



Also, check for cables, equipment, or obstructions inside the vehicle before drilling.

Select the location and drill one 13 mm diameter hole through the roof only for the coaxial cable.

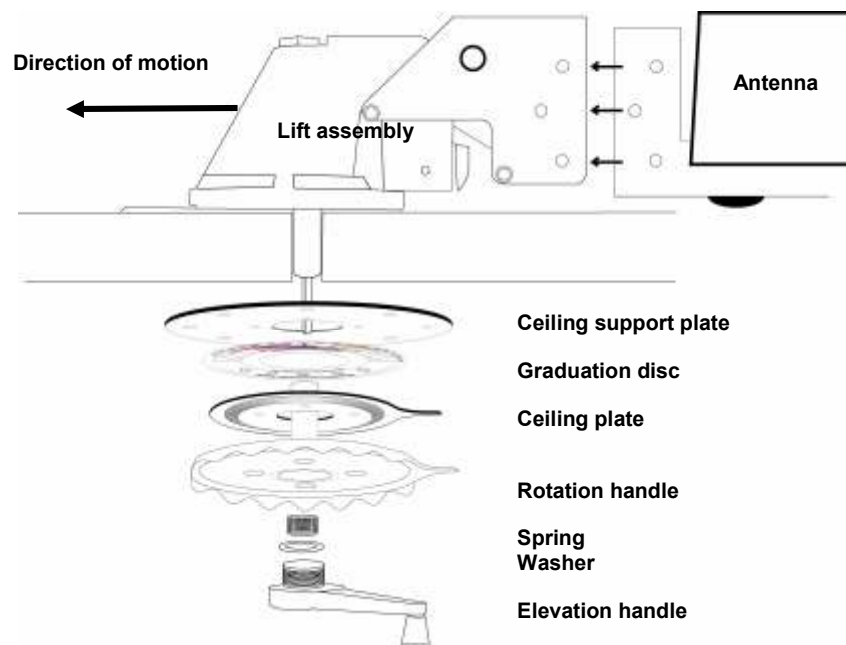
4. Mounting

Using a 38mm diameter hole saw, cut a hole through the roof and ceiling for the centre shaft. Apply a layer of approx. 0,5 cm thick of adhesive such as **Sikaflex®** on the bottom of the base plate. Follow the manufacturer's guidelines for surface preparation, application and curing.

Insert the crankshaft with square tube into the hole, then position and attach the lift assembly to the roof with the enclosed self-cutting tapping screws.

Measure the thickness of the roof. Using the table below, decide if you need one or two ceiling support plates. Assemble graduation disc, ceiling plate, rotation handle, spring, washer and elevating handle (See illustration). Slide all parts over shaft and tighten the screw in the elevation handle.

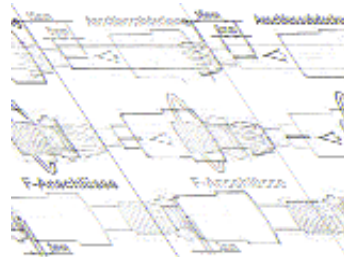
Roof thickness	Number of ceiling support plates
Up to 32mm	2
From 32 mm	1
From 50 mm	None



5. Connecting the Antenna

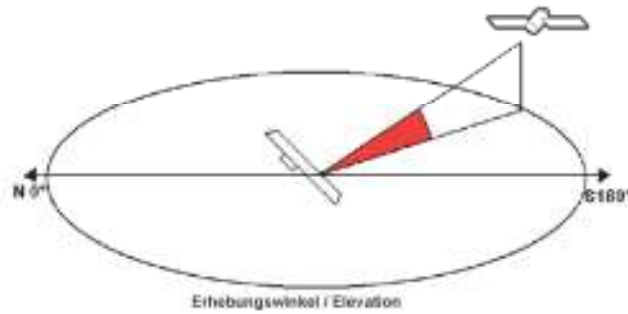
Connect the coaxial cable to the antenna and tighten. Feed the cable sidewise through the lift assembly, then insert cable through gland in rear of roof entry box and push cable into vehicle. Leave 70 cm of cable (see indication) from antenna to roof entry. Following glue on the cable entry box to the roof (e.g. with **Sikaflex®**).

Route cable to satellite receiver and fit 'F' connector. Connect to the connector marked "SATELLITE IN" on the rear of the satellite receiver.

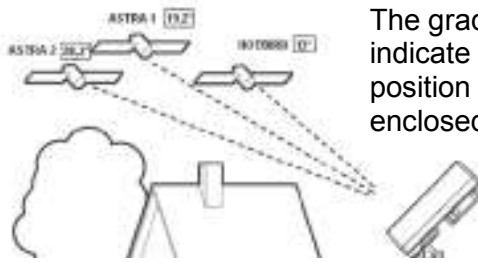


6. To locate the satellite:

Using the zone map determine your location and note the angle of elevation required. Turn the elevation handle counter clockwise (ccw) the number of turns indicated in the graduation disc to get the elevation for your location.

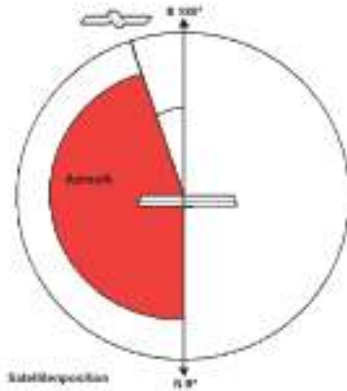


Note: The specifications are approximate values, depending on the location.



The graduation disc also will be used to indicate the approximate direction and position of the desired satellite. With the enclosed compass find out the direction north and turn the Indicator "N" into this direction.

Turn the indicator of rotation handle into the area of desired satellite, which appears highlighted in colour on the graduation disc.



Turn the rotation handle slowly inside this area, until you receive the desired TV-channel.

Note: Stop rotating the antenna if you notice a resistance. Don't try to get over it.

Note: Most receivers display the signal strength on the TV set. You can use this option to maximize the signal strength by sweeping the dish from side to side.

For fine tuning you may turn the rotation handle slowly to the left or right. Also, use the elevation handle and turn it marginally clockwise or counter clockwise to get the best signal.

7. To Lower Antenna:

Pull rotation handle down to disengage gear from ceiling plate and rotate the antenna until the pointer on the ceiling plate is aligned with the pointer on the rotation handle. Rotate elevation handle counter clockwise until you hear the antenna touch the roof (resistance will be felt in the handle).

If you notice resistance during rotation (the antenna cable maybe winded around the unit), turn into contrary direction.

WARNING !!! Vehicle must not be driven with antenna in raised or partially raised position. Align the pointers on the ceiling plate and rotation handle before you lower the Antenna.

Technical Details:

Model:	Camos SelfSat Top
Frequency range :	10.7 - 12.75 GHz
Polarisation	Dual Linear (horizontal and vertical)
Gain	33 dBi bei 12.75 GHz
LNB	1
LNB Output frequency	950 - 1950 / 1100 - 2150 MHz
L.O. Frequency	9.75 / 10.6 GHz
Operating temperature	- 30 Grad bis +60 Grad
Storage temperature	- 40 Grad bis +80 Grad

Dimension:

Antenna (LxHxD in cm): 47,5 x 25,9 x 7
Weight: 5,5 kg