



Elegant, Strong, Integrated

New F65 Titanium

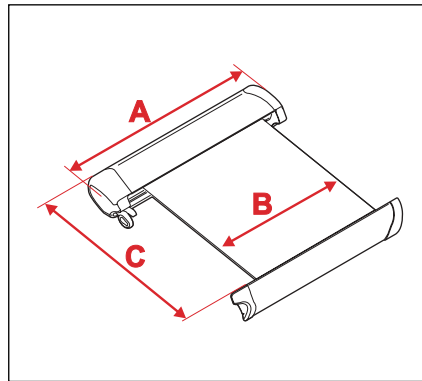
The F65 is the Premium awning which integrates onto the vehicle without overhang. Produced in anodized aluminium, in a limited edition and carefully finished by hand. With its modern design this awning adapts easily to the new generation of motorhomes with curved roofs.



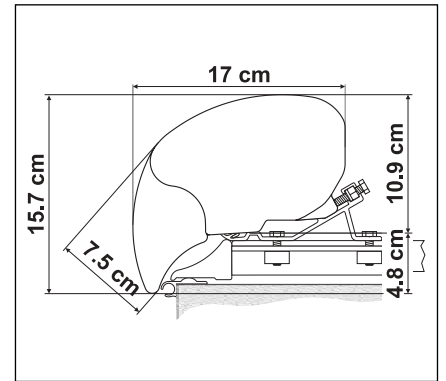
So beautiful...one is not enough!



F65 Titanium ideal for Fiat Ducato



The ideal solution is an awning that does not stick out from the vehicle.



EXTRA STRONG

F65 TITANIUM	Description	Awning length A	Canopy length B	Extension C	Shade surface	Net weight
05529R01(X)	F65 Titanium 290 Ducato Standard < 06-2006	290cm	270cm	200cm	5,4m ²	21kg
05529N01(X)	F65 Titanium 320* Ducato Standard > 06-2006	320cm	300cm	250cm	7,5m ²	28kg
05529M01(X)	F65 Titanium 340 Ducato Maxi < 06-2006	340cm	320cm	250cm	8,3m ²	30kg
05529A01(X)	F65 Titanium 370* Ducato Maxi > 06-2006	370cm	350cm	250cm	8,8m ²	34kg
05529C01(X)	F65 Titanium 400**	400cm	380cm	250cm	9,6m ²	36kg

**1 Rafter L included. Specify the fabric colour you want in your order by replacing (X) with:
Q=Azzurra, T=titanium, N= Blue Ocean * Available on demand with case box in black colour.

Type of awning: 100% automatic. Secure inside its coated aluminium case. Roof installation.

Major benefits: Excellent design, very sturdy, easy to operate and safe. Silent when opening/closing and when travelling. Easy-to-hook winch loop. Maximum shadow surface. Easy to clean.
Winch installed on the left side available on request.

Optional: Privacy Room F65 for Fiat Ducato, Citroën Jumper, Peugeot Boxer and Laika Kreos (page 23), Blocker (page 26), Rain-Guard (page), Rafter Pro (page 29), Motor Kit (pag.28), Installation brackets Adapters (pag. 20), Crank Handles (page 30).



F65

The F65 is the Fiammastor® which integrates onto the vehicle without overhang.
With its modern design this awning adapts easily to the new generation of motorhomes with curved roofs.
The mounting brackets are optional.
Smooth and silent opening, finished in a bright polar white enamel paint.
Extra strong structure.



For Fiat Ducato, Citroën Jumper and Peugeot Boxer before 06/2006: F65 290 short wheel base and F65 340 long wheel base.
After 06/2006 F65 320 Short wheel base and F65 370 long wheel base.
Available in the manual or electric (only long wheel base) version.
Installed with no drilling, using the optional Fiat Ducato Adapter (page 20).

The F65 is stronger because it is larger.



Privacy Room F65 for Fiat Ducato, Citroën Jumper and Peugeot Boxer (p.23)



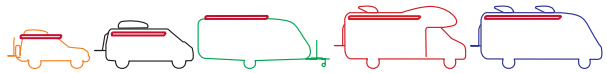
The F65 perfectly integrates onto the vehicle.
Preferred as it is stronger and bigger in dimensions.

F65	Description	Awning length A	Canopy length B	Extension C	Shade surface	Net weight
04420G01(X)	F65 260	260 cm	240 cm	200 cm	4,8m ²	24 kg
04420R01(X)	F65 290	290 cm	270 cm	200 cm	5,4m ²	26 kg
04420N01(X)	F65 320	320 cm	300 cm	250 cm	7,5m ²	28 kg
04420M01(X)	F65 340	340 cm	320 cm	250 cm	8,0m ²	30 kg
04420A01(X)	F65 370	370 cm	350 cm	250 cm	8,8m ²	34 kg
04420C01(X)	F65 400*	400 cm	380 cm	250 cm	9,5m ²	36 kg
04420D01(X)	F65 450*	450 cm	430 cm	250 cm	10,8m ²	40 kg
04420E01(X)	F65 490*	490 cm	470 cm	250 cm	11,8m ²	44 kg

*1 Rafter L included. Options: Rafter Pro (p. 29), Motor Kit (p. 28).

Specify the fabric colour you want in your order by replacing (X) with: **A= Platinum, B= Ocean.**

Winch and motor installed on the right side on request (p. 28)



	<p>KIT FIXING-BAR 3 x 3 pcs. 20cm brackets</p> <p>KIT 98655-384</p>		<p>KIT GIOTTILINE 3 x 3 pcs. 15cm brackets</p> <p>KIT 98655-725</p>
<p>WITHOUT DRILLING</p> <p>After 1994 Before 06/2006</p>	<p>KIT DUCATO-JUMPER-BOXER Before 6/2006 2 x LOW PROFILE 2 pcs. 20cm brackets</p> <p>KIT 98655-693</p>		<p>KIT KNAUS YAT 3 x 3 pcs. 15cm brackets</p> <p>KIT 98655-723</p>
<p>WITHOUT DRILLING</p> <p>After 1994 Before 06/2006</p>	<p>KIT DUCATO-JUMPER-BOXER 2 x HIGH PROFILE 2 pcs. 20cm brackets</p> <p>KIT 98655-373</p>	<p>Only for H2 Model</p>	<p>KIT IVECO DAILY H2 3 x 2 pcs. 15cm brackets 1 pc. 20cm brackets</p> <p>KIT 98655-733</p>
<p>Only for H3 Model</p>	<p>KIT IVECO DAILY H3 3 x 3 pcs. 15cm brackets</p> <p>KIT 98655-704</p>	<p>NEW</p>	<p>KIT RENAULT MASTER 3 x 2 pcs. 29cm brackets 1 pc. 20cm bracket</p> <p>KIT 98655-468</p>
	<p>KIT LAIKA KREOS 05 3 x 3 pcs. 15cm brackets</p> <p>KIT 98655-698</p>	<p>NEW</p>	<p>KIT CARTHAGO CHIC 1 x</p> <p>400 cm - 98655-736 450 cm - 98655-737 500 cm - 98655-738</p>
	<p>LAIKA KREOS 1 x</p> <p>370 cm - 98655-358 400 cm - 98655-731</p>	<p>NEW</p>	<p>KIT MERCEDES SPRINTER Standard highroof 3 x 2 pcs. 50cm brackets 1 pcs. 25cm bracket</p> <p>KIT 98655-746</p>
		<p>NEW</p>	<p>KIT DUCATO-JUMPER-BOXER After 6/2006 2 x 2 pcs. 20cm brackets with rubber joints</p> <p>KIT 98655-745</p>



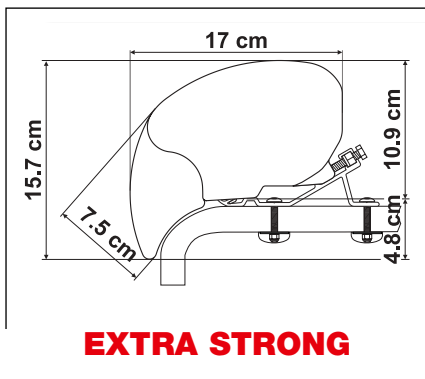
The automatic awning with self-supporting arms

The new Eagle is a roof awning with self-supporting arms. With its modern design this awning adapts easily to the new generation of motorhomes with curved roofs. Does not require vertical supporting legs. Strong jointed arms that tighten the fabric. Ideal for big motorhomes and for vehicles with rear door. Verify the strength of the fixing points of the brackets. Colour: Platinum.



Eagle Motor Kit

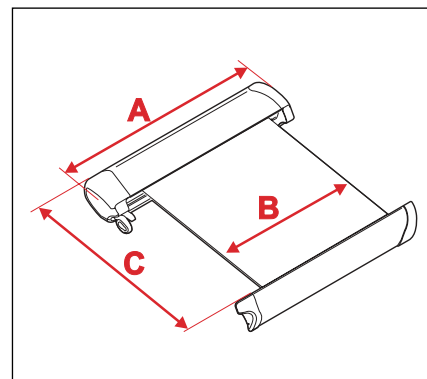
Ideal for Motorhomes with a sturdy bearing structure



Fiamma Eagle



Control System



The roof awning of larger dimensions

	KIT EAGLE 66 2x 2 pcs. 20cm brackets		ADAPTER EAGLE 1x
	KIT 98655-410		KIT 290 cm - 98655-411 370 cm - 98655-413 450 cm - 98655-415

Fiamma Eagle®	Description	Awning Length A	Canopy Length B	Extension C	Shade surface	Net weight
05346-01A	EAGLE 66	200 cm	200 cm	150 cm	3,0m ²	15 kg.
05346B01A	EAGLE 95	290 cm	290 cm	200 cm	5,8m ²	21 kg.
05346C01A	EAGLE 120	370 cm	370 cm	250 cm	9,3m ²	29 kg.
05346D01A	EAGLE 148	450 cm	450 cm	250 cm	11,3m ²	35 kg.

Optional accessories only for Eagle 95, 120, 148: Motor Kit (pag.28)