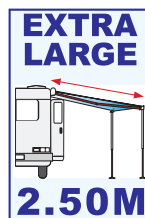
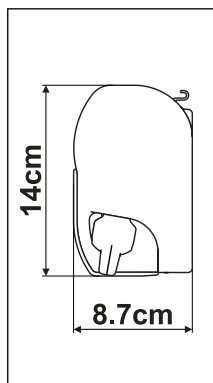
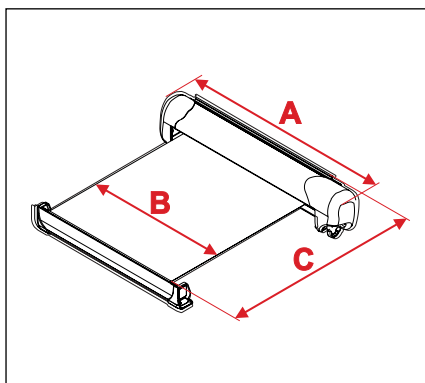




Fiamma F45i is essential for a vacation on the move

German Utility Models: 20 2004 010 437.7 - 20 2004 010 436.9
 European Patents: 0 254 757 - 0 534 390 - 0 534 391 - U.S.A Patents: 4,733,683 - 5,242,003 - 5,285,837
 German Patent: 4 132 362 - Italian Patents: 0220102 - 00220013 - **Several other patents pending**



The first and only

The essential F45i

It is the only motorhome awning that is fast, user-friendly and silent during opening, closing and while travelling.



More shade with the F45i



Extra-Strong Arms



Silent opening and closing

F45	Description	Awning length A	Canopy length B	Extension C	Shade surface	Net weight
04640L01(X)	F45i 150 *	145 cm	123 cm	104 cm	1,3 m ²	10 kg
04640M01(X)	F45i 190 *	190 cm	169 cm	104 cm	1,7 m ²	12 kg
04640-01(X)	F45i 250	256 cm	235 cm	200 cm	4,7 m ²	18 kg
04640A01(X)	F45i 300	306 cm	285 cm	250 cm	7,1 m ²	22 kg
04640B01(X)	F45i 350	356 cm	335 cm	250 cm	8,3 m ²	23 kg
04640C01(X)	F45i 400 **	406 cm	385 cm	250 cm	9,6 m ²	26 kg

* Awning for the main door, it does not require the vertical support legs.

** 1 Tension Rafter made of anodized aluminium included. Specify the fabric colour you want in your order by replacing (X) with: **A=Platinum, B=Ocean, C=Sunset, L=Turquoise, N=Blue Ocean, Q=Azzurra and T=Titanium.** Winch installed on the left side available on request.



Life is more fun with a Fiamma awning

European Patent 0 254 757 - European Patent 0 534 390 - European Patent 0 534 391
 U.S.A Patent. 4,733,683 - U.S.A.Patent 5,242,003 U.S.A.Patent 5,285,837 - German Patent 4 132 362
 Italian Patent 0220102 - Italian Patent 00220013 - **Several other patents pending.**

The userfriendly awning

Improve the quality of your vacations with a Fiamma F45i, easy to use for the whole family.



Smooth and quick opening



Keep your family in the shade

Type of awning:	100% automatic. Secure inside its coated aluminium case. Wall installation.
Major benefits:	Excellent design, very sturdy, easy and safe to operate. Silent when opening/closing and while travelling. Easy-to-hook winch loop. Maximum shadow surface. Easy to clean. Winch installed on the left side available on request.
Application:	Motorhomes, autocaravans, campers.
Structure:	In extra strong Alu-Lite. Superlight, external automotive polar white coating finish.
Fabric:	Cool and cheerful vinyl canopy. UV Resistant, waterproof and washable, with bright colours on both sides. Colours: Platinum, Ocean, Sunset, Turquoise, Blue Ocean, Azzurra and Titanium.
Extension:	250 cm (104 cm for the awning F45i 150 and 190 - 200 cm for the awning F45i 250).
Lengths:	150 cm, 190 cm, 250 cm, 300 cm, 350 cm, 400 cm.
Standard equip.:	Presto Fix® - New reinforced arms with twin cable - Extra Strong Arms from F45i 300 - Dual Shock-Absorber® - Auto-Lock® - Dual Security® - Folding crank handle - AS Brackets and internal M bracket covers - Hooks to secure legs to the ground - Wall brackets for leg support - Tension Rafter from 400cm (page 10).
Optional:	Screen-room Privacy® Room (page 23) - Blocker (page. 26) - Rain-Guard - Rafter Pro (page 29) - Motor Kit (page 28) Fastening brackets (pages 14, 15, 16 and 17) - Crank Handles (page 30).



F45i L is perfect for large motorhomes

Silent, Elegant and Solid!

The essential F45i L is perfect for large motorhomes. It is user-friendly and silent both when opening-closing the awning and while travelling.



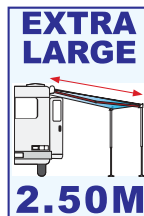
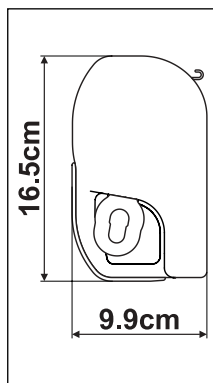
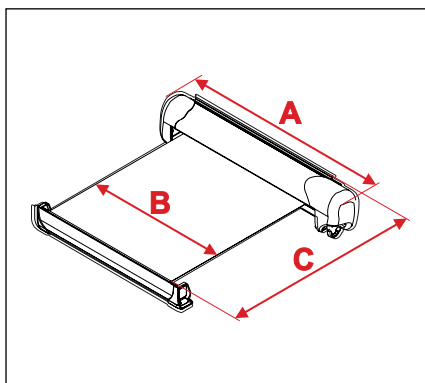
More space in less time with the Blocker



Strong aluminium arms



External coating finish, easy to clean



F45_L	Description	Awning length A	Canopy length B	Extension C	Shade surface	Net weight
04860A01(X)	F45i L 450**	456 cm	435 cm	250 cm	10,1 m ²	35 kg
04860B01(X)	F45i L 500**	506 cm	485 cm	250 cm	12 m ²	37 kg
04860C01(X)	F45i L 550***	556 cm	535 cm	250 cm	13,3 m ²	40 kg

1 Tension Rafter L, made of anodized aluminium included *2 Tension Rafter L and 3 reinforced articulated arms included. Specify the fabric colour you want in your order by replacing (X) with: **A=Platinum, B=Ocean, C=Sunset, L=Turquoise, N=Blue Ocean, Q=Azzurra and T=Titanium.** Winch installed on the left side available on request.



F45iL: a large shaded area to enjoy with your family

European Patent 0 254 757 - European Patent 0 534 390 - European Patent 0 534 391
 U.S.A Patent. 4,733,683 - U.S.A.Patent 5,242,003 U.S.A.Patent 5,285,837 - German Patent 4 132 362
 Italian Patent 0220102 - Italian Patent 00220013 - **Several other patents pending.**

The awning studied for large motorhomes

Ultra strong!

Solid and safe to guarantee a large shaded area outside the vehicle.
 More comfort for an inexpensive price!



F45i L: maximum freedom on your holidays



Closes in a little space

Type of awning:	100% automatic. Secure inside its coated aluminium case. Wall installation.
Major benefits:	Excellent design, very sturdy, easy to operate and safe. Silent when opening/closing and when travelling. Easy-to-hook winch loop. Maximum shadow surface. Easy to clean. Winch installed on the left side available on request.
Application:	Motorhomes, autocaravans, campers.
Structure:	In extra strong Alu-Lite. Superlight, external automotive polar white coating finish.
Fabric:	Cool and cheerful vinyl canopy. UV Resistant, waterproof and washable, with bright colours on both sides. Colours: Platinum, Ocean, Sunset, Turquoise, Blue Ocean, Azzurra and Titanium.
Extension:	250 cm
Lengths:	450 cm, 500 cm, 550 cm
Standard equip.:	Presto Fix® - Reinforced arms with twin cable - Extra Strong Arms -Three arms on F45iL 550 - Dual Shock-Absorber® - Auto-Lock® - Dual Security® - Telescopic handle - AS Brackets and internal M bracket covers - Hooks to secure legs to the ground - Wall brackets for supporting legs - Tension Rafter L.
Optional:	Screen-room Privacy® (page 23) - Blocker Pro (pag. 26) - Rain-Guard - Rafter Pro (page 29) - Motor Kit (page 28) - Adapters, Fastening brackets (pages 14, 15, 16 and 17)