

The rear boxes for motorcaravans and minivans are made with a top Quality ABS-PLUS to provide high resistance against impacts and weather conditions plus protection against ultraviolet rays.

They are co-extruded with extra thickness to prevent deterioration and are supplied with stainless steel hinges and aluminium profiles. Equipped with a watertight seal.

The boxes can be installed on the Carry-Bike (kit included), or on the rear of the vehicle with the optional wall-mounting kit. GS/TÜV approved and supplied with flexible net to secure the transported items.

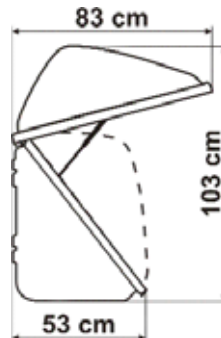


ULTRA-BOX 500



Volume: 500l - Weight: 17 kg.
04148-01-

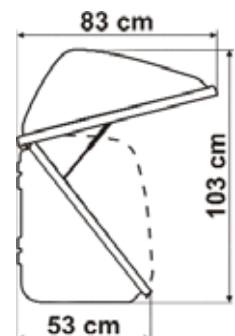
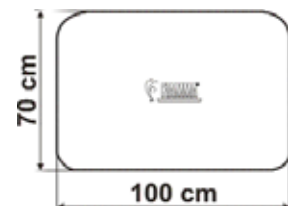
ITALIAN DESIGN



ULTRA-BOX 320



Volume: 320l - Weight: 12 kg.
04147-01-

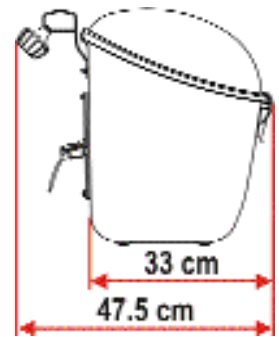


ECO-BOX

NEW!



Waste bin to install on the ladders. Made with top quality AMS to provide high resistance against impacts and weather conditions plus protection against ultraviolet rays. It is supplied with stainless steel hinges and closing hook. The bin is easily installed on the ladders with the supplied mounting kit and is easily unhooked and refastened to be used everywhere. It is quickly washed and cleaned thanks to the holes that also assure ventilation. Can carry up to 5kg of waste.

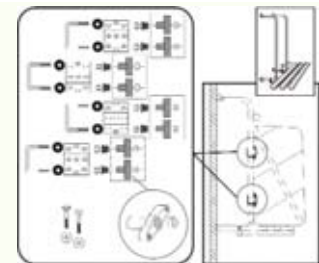
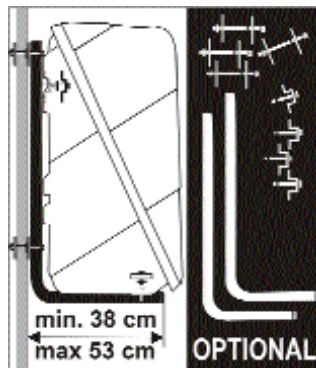


02087-01-

WALL KIT BOX

Kit for wall-mounting Box 320 and 500 can be supplied upon request.

98654-005



Box 320 and 500 are standard delivered with brackets for installation on the Carry-Bike.

CARGO BACK



A soft luggage bag made in sturdy antirip reinforced resinated nylon. Ideal for transporting chairs and camping or sporting goods. Quick attach and removed system. Takes up little space when folded. Water-proof with covered nylon YKK zippers. CARGO BACK can easily be installed on a rear bike carrier. Dimensions: cm35x120x67h. Volume: 285l.

03856-01-

