

CARRY-BIKE® GARAGE

To transport your bicycles in Motorhomes with garage facility

GARAGE STANDARD



*Carry-Bike Garage Standard with third center rail and supplementary Bike-Block Pro 2.

Bike Carrier with lower section fastened to the floor and Bike-Block fixed to the wall or to the roof. Carries up to 3 bikes. Can be folded up when not in use giving more floor space if required.

Garage Standard: is standard delivered with 2 Rail Strip, 1 Bike-Block Pro 1 and 3 Red. 02093-54-



GARAGE PLUS



Garage Plus with 2 Rails and 2 supplementary Bike-Block Pro

Bike Carrier for motorhomes with garage facility. Comes complete with lower brackets **to fasten the unit to the floor of the vehicle.** Lower section can be folded up when not in use giving more floor space if required. **Carries up to 4 bikes.** The **Garage Plus** is standard delivered with 2 Rail Strip, 1 Bike-Block Pro 1 and 3 Red. 02093-78-



GARAGE SLIDE

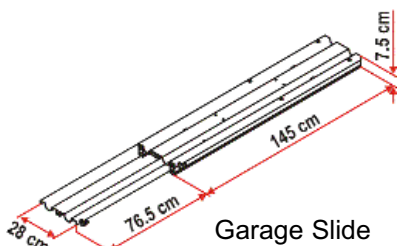
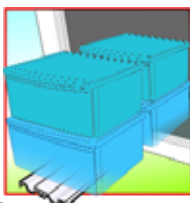
Patent Pending



The most compact Garage Slide in anodized aluminium

Multiuse Garage sliding system for installing in the garage facility or in the storage compartment boxes of the motorhome. Only 7,5 cm high. Patented slide system. The lower rail is screwed into place, while the upper rail slides onto the trucking system thanks to self-lubricating nylon bearings, mounted with ball-bearings.

04822-01-



KIT BIKE SLIDE

Patent Pending

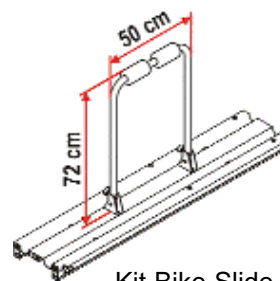


Garage Slide with Bike Slide optional Kit

The Garage slide can transport up to 2 bicycles by installing the optional Kit Bike Slide.

98656-370

NEW!



CARRY-BIKE®

CARRY-MOTO

EVI
-15 micron-
ANODIZED
ALUMINIUM



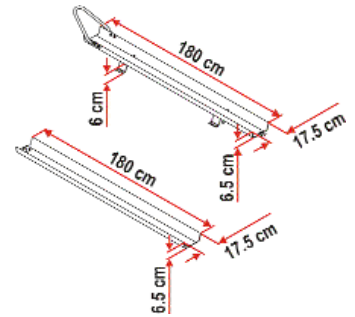
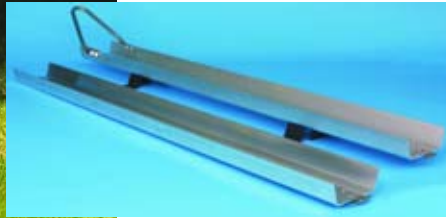
New motorbike-carrier for all motorhomes with garage facility. Consists of a rail (length: 202cm, internal width: 14cm) and a chute (length: 180cm) which is easily connected to the rail with a zipper to facilitate the loading of the motorbike.

It is made of sturdy galvanized aluminium.

The bracket has a fixed wheel-block and a front mobile wheel-block wedge.

Supplied with 2 sturdy straps to fix the motorbike during journey. It carries up to 200 Kg.

02095-01-



GARAGE-BARS



Your problem of securing items in the garage is solved. The Garage-Bars are 2 bars in anodized aluminium that are fixed to the garage walls, each complete with 5 EYE sliding hooks and fixing screws.

Dimensions: 4x2,5x200cm

98655-480



EVI
-15 micron-
ANODIZED
ALUMINIUM

EYE KIT



2 pcs.

98656-494

PLATES GARAGE



4x

Square Plates



4x

Diamond Plates

Stainless steel hooks of nautical quality to be applied to the floor or the walls of the garage for tying straps, elastic cords, ropes or other items. 4-pieces Kit.

Kit Square Plates

Dimensions: 3,5x3x2cm

98656-485

Kit Diamond Plates

Dimensions: 5,9x3,7x2cm

98656-490