

# MINIVAN

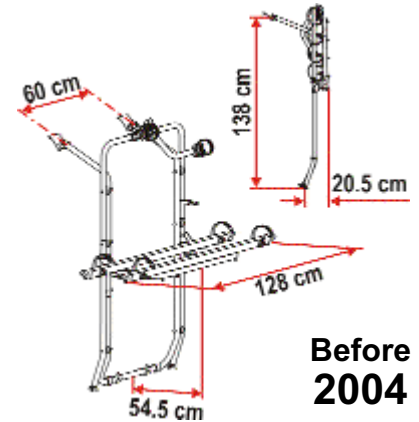
Easy installation  
without drilling the vehicle



## MERCEDES VITO

Bike carrier specially made for Mercedes Vito with single rear door. Easy installation with the standard delivered brackets, without drilling the vehicle. Standard delivered with: 1 Bike-Block Pro 1 and 3 Red, 2 Rail Quick 128 Red, 1 Rack Holder.

02093-05-

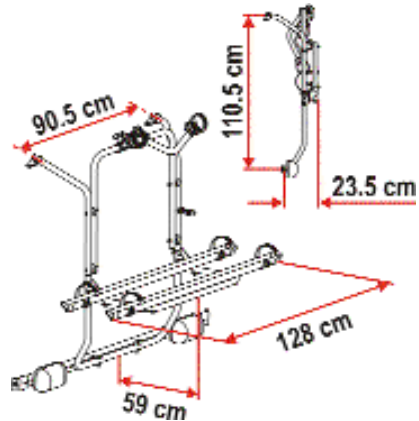


Before  
2004

## MERCEDES VIANO

Bike carrier specially made for Mercedes Viano with single rear door. Easy installation with the standard delivered brackets, without drilling the vehicle. Standard delivered with: plate for carrying licence plate with control lighting. Electric 13 pole connection and lamps included. 1 Bike-Block Pro 1 and 3 Red, 2 Rail Quick 128 Red, 1 Rack Holder.

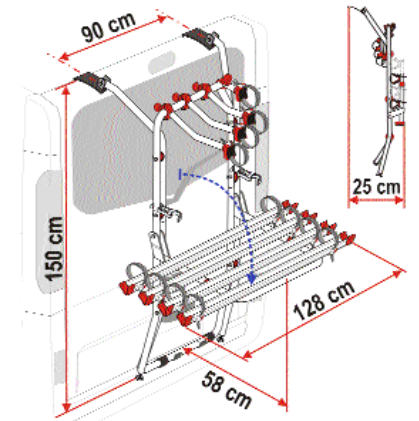
02093-75-



## OPEL VIVARO

Bike carrier specially made for Opel Vivaro and Renault Trafic with single rear door. Easy installation with the standard delivered brackets, without drilling the vehicle. Standard delivered with: 1 Bike-Block Pro 1 and 3 Red, 2 Rail Quick 128 Red, 2 Rack Holders.

02093-72-



## FORD TRANSIT

Standard delivered with: Bike-Block Pro 1 and 3, 2 Rail Quick and 2 Rack Holders. Suitable for:

**Ford Transit**

1986/1999

02093M01-

**Ford Transit 2000**

02093-60-

