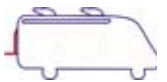


LIFT 77

The only TÜV approved Lift with security belts that carries up to 4 bikes

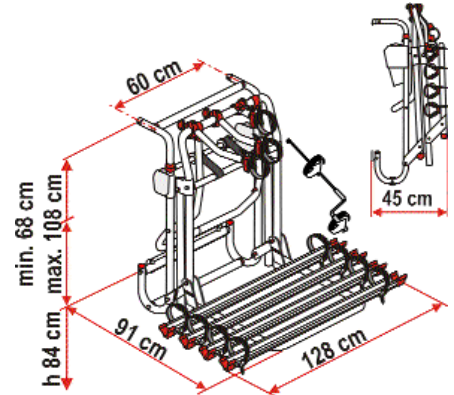


German Patent: 198 39 919.7



This unique bike carrier is the only one on the market that enables the winch system to lower as much as 77cm, thereby enabling the bikes to be loaded easily. No accidental unhooking thanks to the Extra-Large safety straps that carries up to 60 Kg. Thanks to its easy-to-operate winch mechanism and crank handle, it lifts and lowers the bicycles conveniently and without effort. It is made of sturdy galvanized aluminium tubes \varnothing 35mm with steel screws. Wall fixing points with vertical wheelbase from 68 to 108cm. With Bull Shock Absorber. Comes standard with: 2 128cm Rail Quick Red, 2 Bike-Block Pro 1 and 3 and Rack Holder. 02093A43-

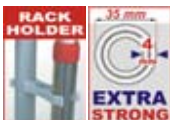
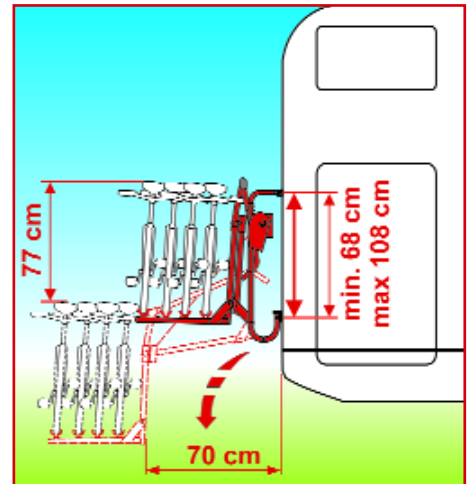
The only bike carrier that enables the winch system to lower as much as 77cm



CARRY-BIKE®



Carry-Bike Lift 77 with 4 Rail Quick 128 Red and 4 Bike-Block Pro Red



Item-No.	Description	
02093A43-	Lift 77 with 2 128cm Rail Quick red, Bike-Block Pro 1 and 3 Red	
02093A43B	Lift 77 Blue with 2 128cm Rail Quick Blue, Bike-Block Pro 1 and 3 Blue	
98656-097	Rail Quick 128 Red supplementary 128cm rail	
98656-328	Rail Quick 128 Blue supplementary 128cm rail	
04133A01-	Bike-Block Pro 2 Red supplementary	
04133C01-	Bike-Block Pro 4 Red supplementary	
04133A01B	Bike-Block Pro 2 Blue supplementary	
04133C01B	Bike-Block Pro 4 Blue supplementary	