

CARAVAN

The only bike carrier for the Caravan shaft, with safety straps Quick Safe



CARAVAN XL A



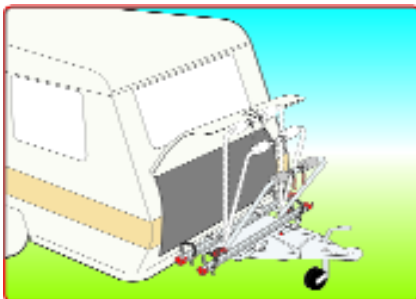
Inexpensive and compact.

Fits all caravans with standard shaft, the HOBBY type with extended frame and the new ALKO frame. Carries 2 bikes.

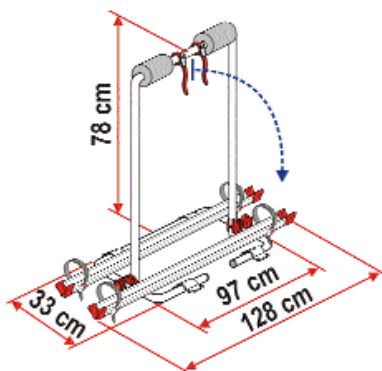
Pivots forward allowing access to the storage compartment.

The installation does not require drilling.

02093-01A



Pivots to allow to access the storage compartment



CARAVAN XL A PRO 200



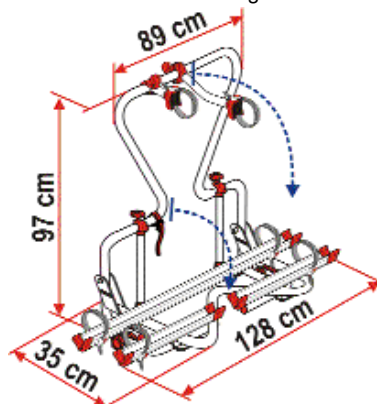
Pivots forward allowing access to the storage compartment, even with the bikes mounted.

Complete with Bike-Block 1, 2. Carries 2 bikes.

02093-32-



German Utility Model 299 16 790.9
German Design: 401 07 222.3



CARAVAN XL A PRO 300

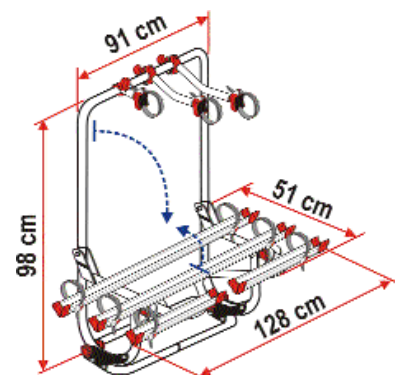


Carries 3 bikes, pivots forward allowing access to the storage compartment, even with the bikes mounted. Complete with Bike-Block 1, 2 and 3.

02093-82-



German Utility Model: 299 16 790.9
German Design: 401 07 222.3





The complete range for the rear walls of the Caravans

SIMPLE PLUS 200

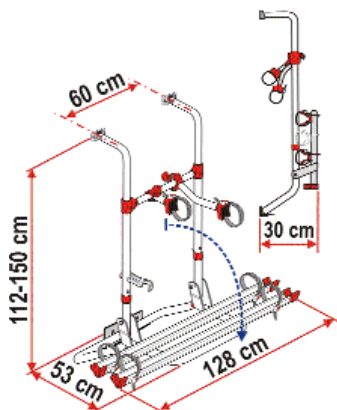


Suitable for mounting on caravans with weak and curved rear walls. Installed by using the existing walls reinforcement points. The upper brackets are positioned in the rail over the rear window. The standard delivered lower bracket is fixed to the lower wall reinforced points. Telescopic frame. Carries 2 bikes. Standard delivered with Bike-Block Pro 1 and 2 and Rack Holder. Maximum weight allowed for transportation 35kg.

02093-36-



The upper brackets of Simple Plus 200 do not require drilling through the wall

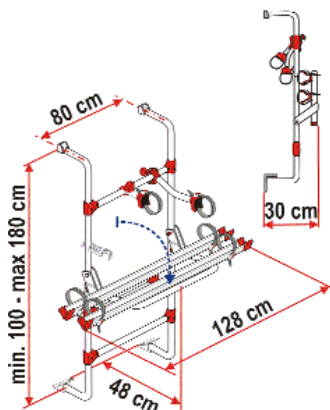


CARAVAN UNIVERSAL



It is fixed to the caravan frame (Bürstner, Chateau, ecc.). Upper and lower brackets are installed by using self-tapping screws. Telescopic frame. adjustable from 100 to 180 cm. Standard delivered with Bike-Block Pro 1, 2 and Rack Holder. Maximum weight allowed for transportation 35kg.

02093-76-



CARAVAN

For rapid installation of the bike rack in existing rails of Hobby and Bürstner Caravans without drilling through vehicle wall, special mounting kits are available upon request (see p.58)

CARAVAN HOBBY

max

3

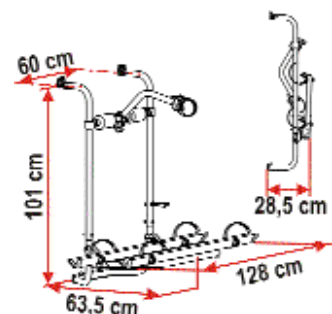


Suitable for mounting on the rear wall of Hobby Caravans, produced after 2003. The special upper brackets are standard delivered and positioned under the rail of the rear window. The standard delivered lower fixing kit is a central bracket. Telescopic frame. Standard delivered with Bike-Block Pro 1, 2 Rack Holder and 2 Rails Quick. Maximum weight allowed for transportation 50kg. Colour: Blue.

02093-77-



Upper brackets are standard delivered



CARRY-BIKE