

UL

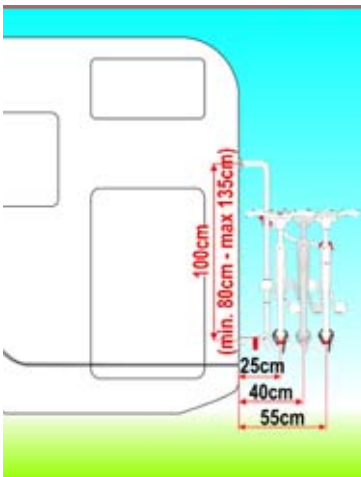
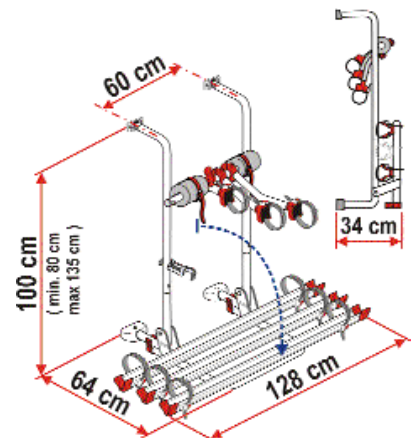
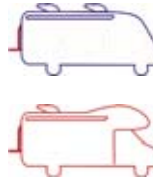
The Classic line of Bike Carrier, strong and inexpensive



Italian Patent: 1226668



CARRY-BIKE UL with third Rail Quick and supplementary Bike-Block Pro



The Carry-Bike UL is the classic, universal, solid and inexpensive bike carrier. Only the original version has Quick Safe safety straps and sturdy double-reinforced bike carrier Rail Quick. Its solid rail support can be cut and shortened. It can also be extended by using the optional Extension Rod depending on installation needs.

Standard delivered with: 2 rails Rail Quick, 1 Bike Block 3, Rack Holder and Installation Kit. Carries up to 50Kg. TÜV approved.

02093-16-
Version for **Joint camper** without installation brackets because already pre-installed on the vehicle. 02093-14-

EXTENSION ROD



35cm extension rods in aluminium for the Carry-Bike UL.

98656-010

EXTRA FIX

NEW!

CARRY-BIKE



New version of the classic bike carrier UL. With lower fixing system and central bracket, which allows installation with self-tapping screws on walls with reinforced points at the centre. Ideal for Caravan Bürstner 2006.

02093-85-

